

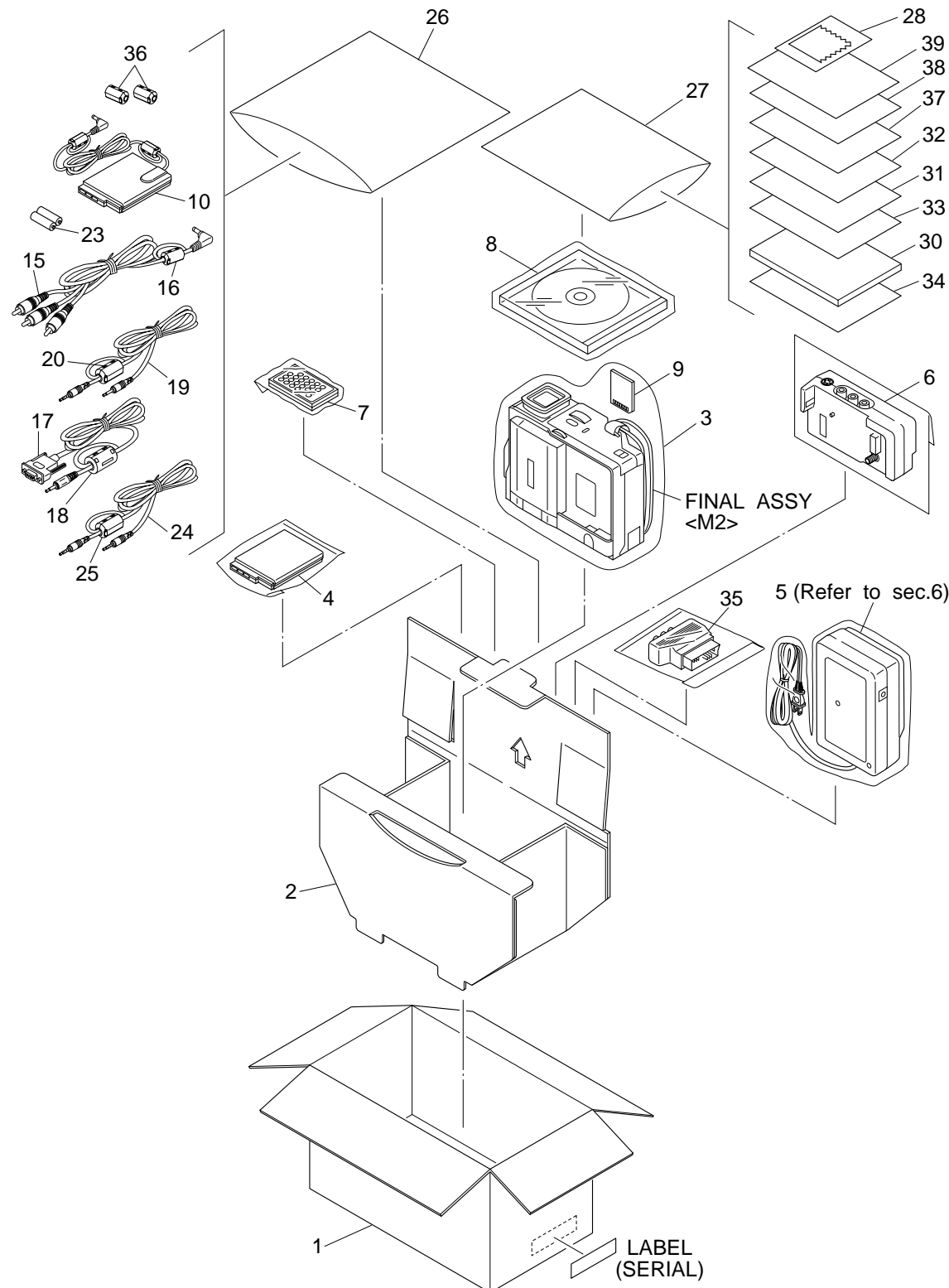
SECTION 5 PARTS LIST

SAFETY PRECAUTION

Parts identified by the \triangle symbol are critical for safety. Replace only with specified part numbers.

5.1 PACKING AND ACCESSORY ASSEMBLY <M1>

The instruction manual to be provided with this product will differ according to the destination.



# \triangle REF No.	PART No.	PART NAME, DESCRIPTION

PACKING AND ACCESSORY ASSEMBLY <M1>		
1	LY31717-004A	PACKING CASE,B
	LY31717-006A	PACKING CASE,D
	LY31717-020A	PACKING CASE,F
	LY32032-001A	PACKING CASE,C
	LY32032-002A	PACKING CASE,A
	LY32032-003A	PACKING CASE,E
2	LY20588-001A	CUSHION
3	LY30023-003A	POLY BAG
\triangle 4	LY31174-003B	BATTERY PACK,BN-V507U-E
\triangle 5	LY20603-002B	AC ADAPTER CHARGER,AA-V51EG,A,C,E
\triangle 5	LY20603-003B	AC ADAPTER CHARGER,AA-V51EK,B,D,F
\triangle 6	LY20590-004A	DOCKING STATION,CU-V502E,C,D,E,F
\triangle 6	LY20590-005A	DOCKING STATION,CU-V503E,A,B
7	LY20543-002A	REMOTE CONTROL UNIT,RM-V716U
8	LY31133-013A	CD ROM,C,D,E,F
	LY31133-015A	CD ROM,A,B
9	QAM0262-002	MULTIMEDIA CARD,C,D,E,F
10	LY31176-005B	DC CORD
15	QAM0120-001	CABLE ASSY,AUDIO/VIDEO CABLE
16	QQR0918-002	CORE FILTER
17	QAM0084-001	PC CONNECTION CABLE
18	QQR0918-002	CORE FILTER
19	QAM0214-001	RM(EDITING)CABLE
20	QQR0491-002	CORE FILTER
23	-	BATTERY,AAA(R03),X2
24	QAM0129-001	JLIP CABLE
25	QQR0491-002	CORE FILTER,C,D,E,F
	QQR0855-003	NOISE FILTER,A,B
26	QPGA017-03005	POLY BAG
27	QPA02003006	POLY BAG,A,C,E
	YQM30061-3	POLY BAG,B,D,F
28	YQ43558	CLEANING CLOTH
\triangle 30	LYT0629-001A	IB(EN),C,D,E,F
\triangle	LYT0629-002B	IB(GE),C,E
\triangle	LYT0629-003B	IB(FR),C,E
\triangle	LYT0629-004A	IB(DU),C,E
\triangle	LYT0629-005A	IB(SP),C,E
\triangle	LYT0629-006A	IB(IT),C,E
\triangle	LYT0629-007A	IB(DA),C,E
\triangle	LYT0629-008A	IB(FI),C,E
\triangle	LYT0629-009A	IB(SW),C,E
\triangle	LYT0629-010A	IB(NO),C,E
\triangle	LYT0629-011A	IB(RU),C,E
\triangle	LYT0629-012A	IB(CZ),C,E
\triangle	LYT0629-013A	IB(PO),C,E
\triangle	LYT0629-014A	IB(HU),C,E
\triangle	LYT0633-001A	IB(EN),A,B
\triangle	LYT0633-002A	IB(GE),A
\triangle	LYT0633-003A	IB(FR),A
\triangle	LYT0633-004A	IB(DU),A
\triangle	LYT0633-005A	IB(SP),A
\triangle	LYT0633-006A	IB(IT),A
\triangle	LYT0633-007A	IB(DA),A
\triangle	LYT0633-008A	IB(FI),A
\triangle	LYT0633-009A	IB(SW),A
\triangle	LYT0633-010A	IB(NO),A
\triangle	LYT0633-011A	IB(RU),A

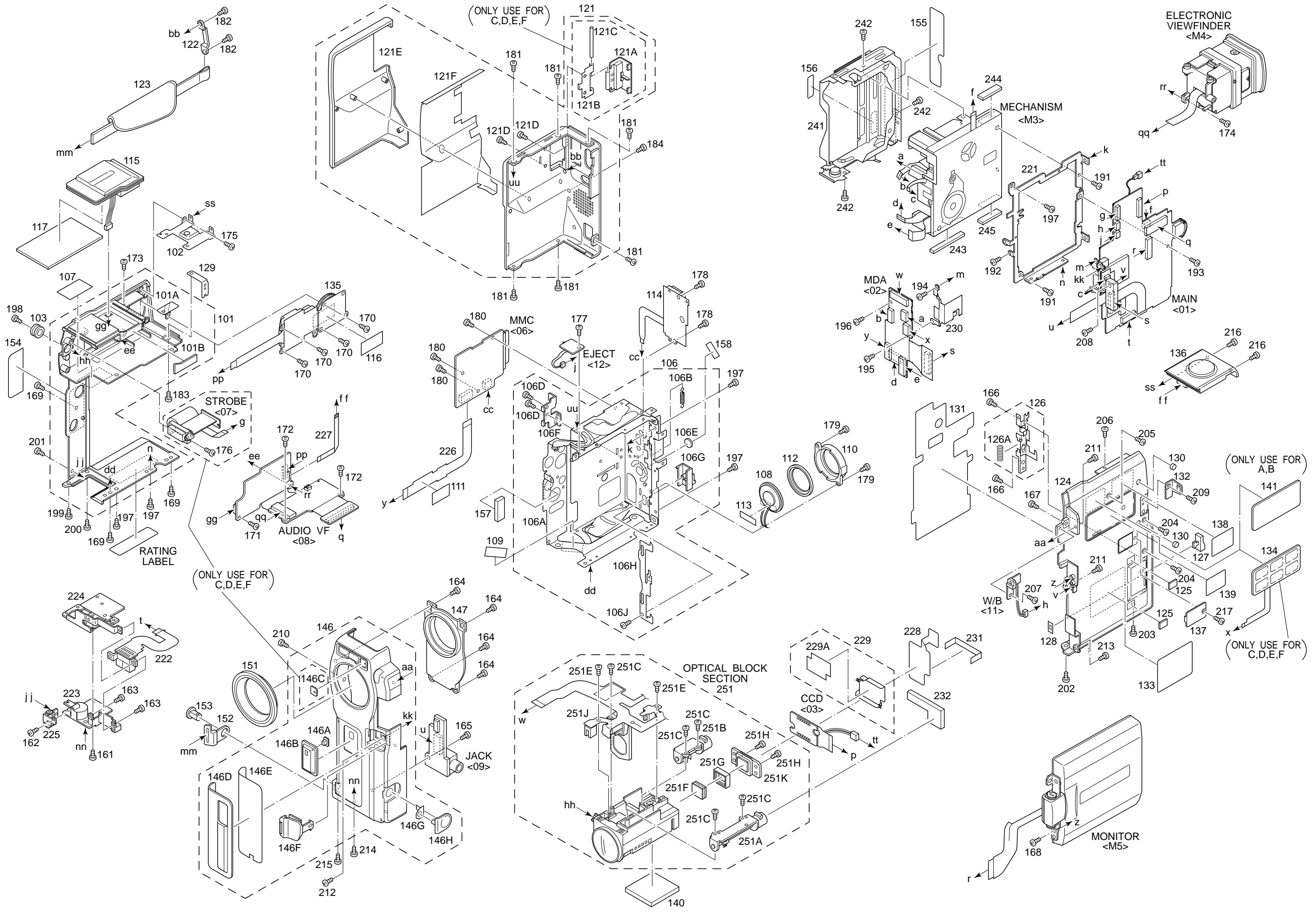
# \triangle REF No.	PART No.	PART NAME, DESCRIPTION
\triangle	LYT0633-012A	IB(CZ),A
\triangle	LYT0633-013A	IB(PO),A
\triangle	LYT0633-014A	IB(HU),A
31	LYT0584-004A	IB(PRINTER.EN),C,D,E,F
	LYT0584-005A	IB(PRINTER.FR),C,E
	LYT0584-006A	IB(PRINTER.SP),C,E
	LYT0629-016A	IB(PRINTER.GE),C,E
	LYT0629-018A	IB(PRINTER.DU),C,E
	LYT0629-020A	IB(PRINTER.IT),C,E
	LYT0629-021A	IB(PRINTER.DA),C,E
	LYT0629-022A	IB(PRINTER.FI),C,E
	LYT0629-023A	IB(PRINTER.SW),C,E
	LYT0629-024A	IB(PRINTER.NO),C,E
	LYT0629-025A	IB(PRINTER.RU),C,E
	LYT0629-026A	IB(PRINTER.CZ),C,E
	LYT0629-027A	IB(PRINTER.PO),C,E
	LYT0629-028A	IB(PRINTER.HU),C,E
\triangle 32	LYT0500-001A	IB(SOFT.SETUP),A
\triangle	LYT0501-001A	IB(SOFT.SETUP),B
\triangle	LYT0589-001A	IB(SOFT.SETUP),C,E
\triangle	LYT0643-001A	IB(SOFT.SETUP),D,F
33	LYT0378-003A	SHEET(AGREMENT)
34	BT-54008-2	GUARANTY CARD,B,D,F
	BT-54013-1	WARRANTY CARD,A,C,E
35	PEMC1000-01-02	CONNECTOR,CABLE ADAPTER
36	QQR0918-002	CORE FILTER,X2
37	LYT0194-001A	Q.CARD(JUK),B,D,F
38	YU30878	REGIST.CARD,B,D,F
39	LYT0162-022A	ACC. LEAFLET

MODEL	MARK
GR-DVX8EG	A
GR-DVX8EK	B
GR-DVX9EG	C
GR-DVX9EK	D
GR-DVX10EG	E
GR-DVX10EK	F

• INSTRUCTIONS

- EN ENGLISH
- GE GERMANY
- FR FRENCH
- DU DUTCH
- SP SPANISH
- IT ITALIAN
- DA DANISH
- FI FINNISH
- SW SWEDISH
- NO NORWEGIAN
- RU RUSSIAN
- CZ CZECH
- PO POLISH
- HU HUNGARIAN

5.2 FINAL ASSEMBLY <M2>



#	△ REF No.	PART No.	PART NAME, DESCRIPTION

FINAL ASSEMBLY <M2>			
△	101	LY20576-004B	LOWER CASE ASSY,A,B
△		LY20576-005B	LOWER CASE ASSY,C,D,E,F
	101A	LY42536-001A	SHEET(LOWER)
	101B	LY42259-001A	SHEET(MIC C)
	102	LY31764-001A	BKT(TOP)
	103	LY41675-001B	RUBBER
	106	LY20601-001B	ARM ASSY
	106A	LY20594-001A	BRACKET(ARM)
	106B	LY30001-023A	TENSION SPRING
	106D	LY30018-056A	SPECIAL SCREW,X2
	106E	LY42268-001A	SPACER(SPK)
	106F	LY31678-001A	BRACKET(HOOK)
	106G	LY31676-001A	KNOB(EJECT)
	106H	LY31665-001A	PLATE(LOCK)
	106J	LY30018-015A	SPECIAL SCREW
	107	LY30029-083A	SPACER(A)
	108	QAS0053-001	SPEAKER
	109	LY30029-084A	SPACER(A)
	110	LY31762-001A	HOLDER(SPK)
	111	LY30029-085A	SPACER(A)
	112	LY40301-001A	SPACER(SPK)
	113	LY30029-086A	SPACER(A)
	114	LY31680-001B	ZOOM UNIT,C,D
		LY31680-002B	ZOOM UNIT,A,B
		LY31680-003B	ZOOM UNIT,E,F
	115	LY31671-001B	MICROPHONE
	116	LY30029-083A	SPACER(A)
	117	LY30029-094A	SPACER(A)
	121	LY20602-001A	CASS COVER ASSY,C,D,E,F
		LY20602-003A	CASS COVER ASSY,A,B
	121A	LY31675-001A	PLATE(HINGE),C,D,E,F
	121B	LY42261-001A	BRACKET(HINGE),C,D,E,F
	121C	LY30014-009A	SHAFT(C),C,D,E,F
	121D	LY30018-026A	SPECIAL SCREW,X2
	121E	LY20599-001A	COVER(C.C),C,D,E,F
		LY20599-002A	COVER(C.C),A,B
	121F	LY42434-001A	SHEET(COVER)
	122	LY41588-001A	HOOK(OPE)
	123	LY31745-001B	GRIP BELT
	124	LY10236-001A	UPPER CASE
	125	LY30029-091A	SPACER(A),X2
	126	LY42270-001A	BATT.LOCK ASSY
	126A	LY30002-015A	COMPRES. SPRING
	127	LY31102-001A	KNOB(LOCK)
	128	LY41397-001A	PLATE(KNOB)
	129	LY42326-001A	BRACKET(L/U)
	130	LY42350-001A	FOOT,X2
	131	LY42272-001A	SHEET(UPPER)
	132	LY31682-001B	LOCK(MONITOR)
△	133	LY41605-003A	LABEL(UPPER)
	134	LY31684-001A	SUB OPE ASSY,C,D,E,F
	135	LY20600-001A	CAMERA OPE UNIT,C,D
		LY20600-002A	CAMERA OPE UNIT,E,F
		LY20600-003A	CAMERA OPE UNIT,A,B
	136	LY31906-001A	DECK OPE ASSY
	137	LY41393-004A	COVER(JIG CONN)
	138	LY41701-002A	SHEET(CAUTION)1
	139	LY42163-003A	SHEET(CAUTION)2
	140	LY30029-099A	SPACER(A)
	141	LY42406-001A	SHEET,A,B
△	146	LY20581-004E	FRONT COVER ASSY,A,B
△		LY20581-005E	FRONT COVER ASSY,C,D
△		LY20581-008A	FRONT COVER ASSY,E,F
	146A	LY42276-001B	INDICATOR
	146B	LY42277-001A	WINDOW(IR)
	146C	LY42278-001A	WINDOW(STB),C,D,E,F
	146D	LY31687-001A	PAD
	146E	LY42280-001A	SHEET(DF)
	146F	LY42281-001A	COVER(DV)ASSY
	146G	LY42286-001A	HINGE(AV)
	146H	LY42285-001A	COVER(AV),E,F
		LY42285-002A	COVER(AV),A,B,C,D
	147	LY31761-002B	FRONT COVER2
	151	LY31767-001A	HOOD ASSY,C,D
		LY31767-001B	HOOD ASSY,A,B,E,F
	152	LY31691-001B	HOOK
	153	LY42287-001A	STUD(HOOK)
	154	LY42404-001A	SHEET
	155	LY40698-002A	LABEL(HOUSING)
	156	LY40699-002A	LABEL(PUSH)
	157	LY30016-0H5A	SPACER-A
	158	LY30029-074A	SPACER(A)
	161	QYSPSPT1740R	SCREW

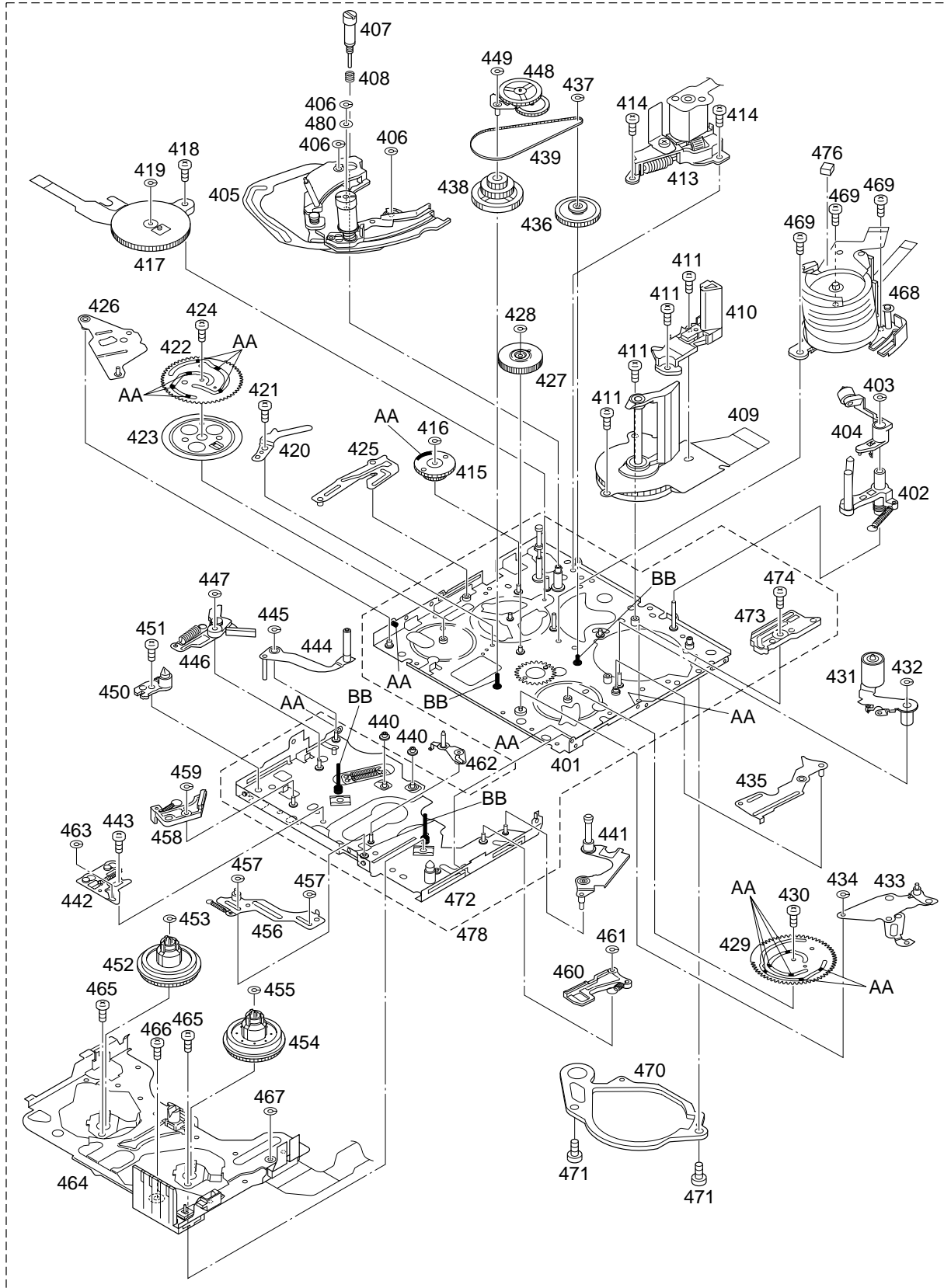
#	△ REF No.	PART No.	PART NAME, DESCRIPTION
		162	LY30018-063A
		163	QYSPSPT1740R
		164	QYSPSGT1740Z
		165	QYSPSGT1740Z
		166	QYSPSPT1725Z
		167	LY30018-068A
		168	LY30018-089A
		169	LY30018-032A
		170	LY30018-020A
		171	LY30018-020A
		172	LY30019-007B
		173	LY30018-060A
		174	LY30018-093A
		175	LY30018-026A
		176	LY30018-060A
		177	LY30018-043B
		178	LY30018-032A
		179	LY30018-096A
		180	QYSPSPT1720R
		181	LY30018-066A
		182	LY30018-0B5A
		183	QYSPSPT1720R
		184	LY30018-0B5A
		191	LY30019-026A
		192	YQ43893-4
		193	QYSPSPT1735R
		194	YQ43893-4
		195	QYSPSPT1735R
		196	LY30018-070A
		197	LY30018-049A
			LY30018-070A
		198	LY30019-023A
		199	QYSPSPT1735R
		200	QYSPSPT1720R
		201	LY30018-070A
		202	QYSPSPT1735R
		203	QYSPSPT1735R
		204	QYSPSPT1730R
			QYSPSPT1735R
		205	LY30018-060A
			LY30018-0B7A
		206	LY30018-060A
			LY30018-0B7A
		207	QYSPSPT1735R
		208	QYSPSPT1735R
		209	LY30018-0B8A
		210	LY30018-0B7A
		211	QYSPSGT1780R
		212	LY30018-0B8A
		213	QYSPSGT1712R
		214	QYSPSPT1735R
		215	LY30019-022A
		216	QYSPSPT1735R
		217	LY30018-070A
		221	LY20582-001A
		222	LY31758-001A
		223	LY31693-001A
		224	LY42290-001A
		225	LY42291-001A
			LY42291-001B
		226	QAL0240-001
		227	WJT0034-001A
		228	LY42756-001B
		229	LY42748-001B
		229A	LY42677-001A
		230	LY31696-001A
		231	LY30029-095A
		232	LY42770-001A
		241	LY30483-001Q
		242	YQ43893-4
		243	LY41430-005A
		244	LY30029-090A
		245	LY41430-004A
- OPTICAL BLOCK SECTION -			
		251	LYH20156-002A
		251A	LY31572-001A
		251B	LY31571-001A
		251C	LY30727-002A
		251E	LY30727-001A
		251F	LY42110-001A
		251G	LY30721-001A
		251H	QYSPSGU1750Z
		251J	LY31573-001A
		251K	YS40168H
			OPTICAL BLOCK ASSY
			ZOOM MOTOR
			FOCUS MOTOR
			SCREW,X5
			SCREW,X2
			OPTICAL LPF
			SPACER RUBBER
			SCREW,X2
			IRIS MOTOR UNIT
			CCD BASE ASSY

5.3 MECHANISM ASSEMBLY <M3>

BEWARE OF BOGUS PARTS

Parts that do not meet specifications may cause trouble in regard to safety and performance. We recommend that genuine JVC parts be used.

475



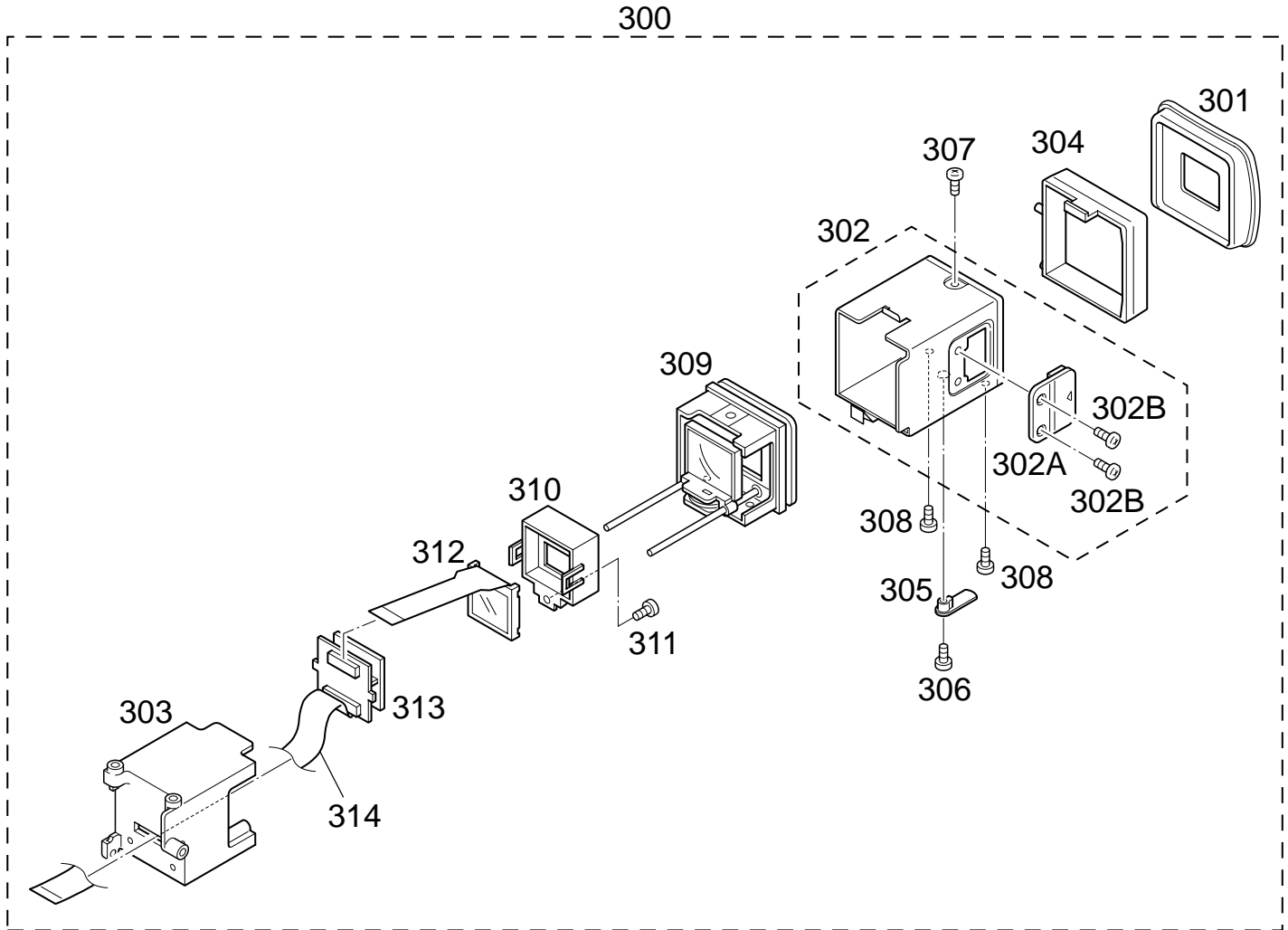
Classification	Part No.	Symbol in drawing
Grease	KYODO-SH-P	AA
Oil	YTU94027	BB

NOTE: The section marked in **AA** and **BB** indicate lubrication and greasing areas.

#	REF No.	PART No.	PART NAME, DESCRIPTION	#	REF No.	PART No.	PART NAME, DESCRIPTION

MECHANISM ASSEMBLY <M3>							
401		LY10077-001L	MAIN DECK ASSY	460		LY40452-001C	SUB BRAKE ASSY
402		LY30436-001F	SLANT P.ARM AS	461		YQ44246	SLIT WASHER
403		YQ44246	SLIT WASHER	462		LY30479-001E	RELEASE GUIDE ASSY
404		LY30438-001B	CLEANER ARM ASSY	463		YQ44246	SLIT WASHER
405		LY10080-001V	RAIL ASSY	464		LY20146-001H	REEL COVER ASSY
406		YQ44246	SLIT WASHER,X3	465		YQ43893-4	MINI SCREW,X2
407		LY40353-001D	GUIDE ROLLER(S)ASSY	466		YQ43893	MINI SCREW
408		LY30002-006C	COMPRES. SPRING	467		YQ44246	SLIT WASHER
409		QAR0026-002	CAPSTAN MOTOR	468		YDV2086I	DRUM ASSY
410		LY30504-001C	CATCHER(T)ASSY	469		YQ43893	MINI SCREW,X3
411		YQ43893	MINI SCREW,X4	470		LY20138-001D	PWB HOLDER
413		LY30448-001G	MOTOR BKT ASSY	471		YQ43893	MINI SCREW,X2
414		YQ43893	MINI SCREW,X2	472		LY10082-001K	SLIDE DECK ASSY
415		LY30449-001C	WORM WHEEL	473		LY30462-001B	LOADING GUIDE
416		YQ44246	SLIT WASHER	474		YQ43893	MINI SCREW
417		LY40496-001C	ROTARY ENCODER	475		YMA0025M	MECHA(A)ASSY
418		YQ43893	MINI SCREW	476		LY30016-0M1A	SPACER-A
419		YQ44246	SLIT WASHER	478		LY30496-001T	DECK ASSY
420		LY40614-001B	GEAR HOLDER	480		LY41573-001A	WASHER
421		YQ43893-6	MINI SCREW				
422		LY30450-001C	MAIN CAM				
423		LY30840-001A	BRAKE CTL PLATE				
424		YQ43893	MINI SCREW				
425		LY40373-001C	TC LEVER ASSY				
426		LY30452-001G	SLIDE LEVER ASSY				
427		LY30454-001A	CONNECT GEAR				
428		YQ44246	SLIT WASHER				
429		LY30455-001B	SUB CAM				
430		YQ43893	MINI SCREW				
431		LY30456-001F	PINCHROLLER ARM ASSY				
432		YQ44246	SLIT WASHER				
433		LY30459-001A	CHARGE ARM ASSY				
434		YQ44246	SLIT WASHER				
435		LY40387-001D	BC LEVER ASSY				
436		LY40389-001D	R.D.PULLEY ASSY				
437		YQ44246-2	SLIT WASHER				
438		LY40391-001G	CENTER GEAR ASSY				
439		LY40396-001A	TIMING BELT				
440		LY40413-001A	COLLAR,X2				
441		LY30468-001E	GUIDE ARM ASSY				
442		LY30618-001C	SLIDE GUIDE PLATE ASSY				
443		YQ43893-2	MINI SCREW				
444		LY40420-001J	TENSION ARM ASSY				
445		YQ44246	SLIT WASHER				
446		LY30471-001D	PAD ARM ASSY				
447		YQ44246	SLIT WASHER				
448		LY40432-001H	IDLER ARM ASSY				
449		YQ44246-2	SLIT WASHER				
450		LY30476-001A	GUIDE PIN(S)				
451		YQ43893	MINI SCREW				
452		LY40441-001B	REEL DISK(SUPPLY)ASSY				
453		YQ44246	SLIT WASHER				
454		LY40443-001B	REEL DISK(TAKE-UP)ASSY				
455		YQ44246	SLIT WASHER				
456		LY30477-001F	CTL PLATE ASSY				
457		YQ44246	SLIT WASHER,X2				
458		LY40444-001E	LOADING BRAKE ASSY				
459		YQ44246	SLIT WASHER				

5.4 ELECTRONIC VIEWFINDER ASSEMBLY <M4>



▲ REF No. PART No. PART NAME, DESCRIPTION

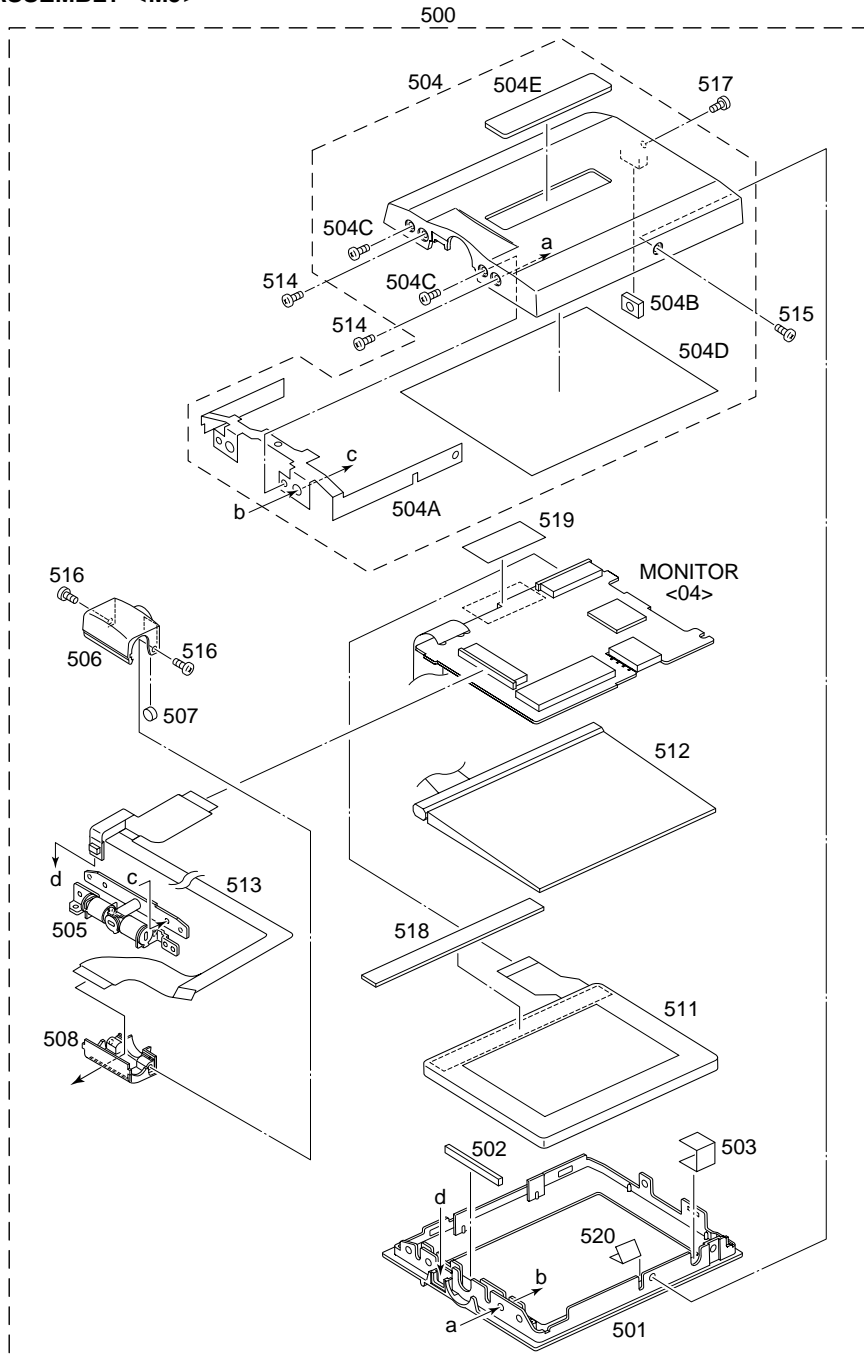
ELECTRONIC VIEWFINDER ASSEMBLY <M4>

#	REF No.	PART No.	PART NAME, DESCRIPTION
300		LY31749-001C	VF UNIT
301		PTY31749-001	EYE CUP
302		PTY31749-011	CASE/CAP ASSY
302A		PTY31749-012	CAP(VF)
302B		LY30029-027A	SCREW,X2
303		PTY31749-021	FRAME(VF)
304		PTY31749-031	GUIDE(VF)

▲ REF No. PART No. PART NAME, DESCRIPTION

305	PTY31749-015	LEVER(VF)
306	LY30018-037A	SCREW
307	LY30018-019A	SCREW
308	LY30018-055A	SCREW,X2
309	PTY31749-041	EYE PIECE SUB ASSY
310	PTY31749-051	HOLDER(LCD)
311	PTY31749-081	SCREW
312	QLD0117-001	LCD MODULE
313	PTY31749-061	B/L SUB ASSY
314	PTY31749-071	FFC

5.5 MONITOR ASSEMBLY <M5>



#	△ REF No.	PART No.	PART NAME, DESCRIPTION	#	△ REF No.	PART No.	PART NAME, DESCRIPTION

MONITOR ASSEMBLY <M5>							
△	500	LYH20164-004C	MONITOR ASSY,A,B	504D	LY30029-047A		SPACER(A)
△		LYH20164-005B	MONITOR ASSY,C,D	504E	LY42295-001A		PLATE(MON.)
△		LYH20164-008A	MONITOR ASSY,E,F	505	LY31701-001B		HINGE ASSY
	501	LY20584-001B	MONITOR CASE	506	LY31702-001A		HINGE COVER(U)
	502	LY30029-046B	SPACER(A)	507	LY40663-002A		MAGNET
	503	LY30029-048A	SPACER(A)	508	LY31703-001A		HINGE COVER(L)
△	504	LY20585-004A	MONITOR COVER ASSY,C,D	511	QLD0138-001		LCD MODULE
△		LY20585-006A	MONITOR COVER ASSY,A,B	512	QLL0087-001		BACK LIGHT
△		LY20585-008A	MONITOR COVER ASSY,E,F	513	LY31756-001A		FPC ASSY(MONI)
	504A	LY31699-001A	BRACKET(MON.)	514	LY30018-0B1A		SPECIAL SCREW,X2
	504B	LY40162-001A	BKT	515	QYSPSPT1730R		SCREW
	504C	LY30018-057A	SPECIAL SCREW,X2	516	LY30018-060A		SPECIAL SCREW,X2
				517	QYSPSPT1735R		SCREW
				518	LY30029-076A		SPACER(A)
				519	LY30029-093A		SPACER(A)
				520	LY30029-0A1A		SPACER(A)

5.6 ELECTRICAL PARTS LIST

MODEL	MARK	MODEL	MARK
GR-DVX8EG	A	GR-DVX9EK	D
GR-DVX8EK	B	GR-DVX10EG	E
GR-DVX9EG	C	GR-DVX10EK	F

#	△ REF No.	PART No.	PART NAME, DESCRIPTION

MAIN BOARD ASSEMBLY <01>			
PW		YB10284D-01	MAIN BOARD ASSY,C,D
		YB10284E-02	MAIN BOARD ASSY,A,B
		YB10284H-01	MAIN BOARD ASSY,E,F
IC1001		YQ44860A	CSP IC ASSY
IC1002		MB90097PFV133	IC(MICRO C ROM)
IC1003		NM25C160LZEM8	IC
		or X25170S8I-2.5-X	IC
		or X25330S8I-2.5-X	IC
		or AT25160N-10SC-X	IC
IC1004		RS5C314	IC
IC1005		TC7W08FK	IC
IC1006		TC7W04FK	IC
IC1008		TC7W66FK	IC
IC1009		TC7W08FK	IC
IC1101		TA75W01FU	IC
IC1401		YQ44872A	CSP IC ASSY
IC1402		TC7W14FK	IC
IC1403		TC7W66FK	IC
IC1405		TC4W53FU	IC
IC2701		SN74AHC1G66K	IC
IC2751		TC74HC4052AFT	IC
IC3001		JCY0106-2	IC
IC3002		M51V18165D-50LS	IC
IC3004		TC7SL00FU	IC(DIGITAL)
IC3005		SN74AHC1G04K	IC
IC3101		PDI1394P11AEC	IC
IC3201		JCY0107-2	IC
IC3202		TC7SH00FU	IC(DIGITAL)
IC3203		MM1385UN	IC
IC3301		JCY0108	IC
IC3501		AN3731FHQ	IC(DIGITAL)
IC3701		NJM2538V	IC
IC3702		MM1385HN	IC
IC3801		JCP8019	IC,E,F
IC3851		MM1504XN	IC,E,F
IC4201		HD49325BHF	IC
IC4202		RH5RZ31CA	IC
IC4301		YQ44827A	IC
IC4302		MM1385PN	IC
IC4303		SN74AHC1G08K	IC,E,F
IC4304		TC7WH123FK	IC,A,B,C,D
IC4305		TC7W04FK	IC,A,B,C,D
IC4401		M62366GP	IC
△ IC5001		JCY0138	IC
IC5002		MM1385DN	IC
IC5004		W194-70G-X	IC
IC6001		S-80842ANNP-W	IC
IC6002		S-81233SG-QF-X	IC
IC6003		S-81330HG-KB-X	IC
IC6004		S-80826ANNP-W	IC
IC6101		BD9712KU	IC
IC6401		MM1385XN	IC
IC6601		TC7W74FK	IC,C,D,E,F
		or TC7WH74FK	IC,C,D,E,F
IC8001		JCY0121-4	IC,C,D,E,F
IC8002		MSM56V16160D1LS	IC,C,D,E,F
IC8003		M32310D5WG	IC,C,D,E,F

#	△ REF No.	PART No.	PART NAME, DESCRIPTION
IC8004		MBV800TA90PBA02	IC(MICRO C ROM),C,D
		MBV800TA90PBA08	IC(MICRO C ROM),E,F
IC8005		TC7S00FU	IC,C,D,E,F
		or SN74AHC1G00K	IC,C,D,E,F
IC8006		MM1385NN	IC,C,D,E,F
IC8007		MM1385EN	IC,C,D,E,F
IC8008		TC7WHU04FK	IC,C,D,E,F
IC8009		TC7WH34FK	IC,C,D,E,F
IC8101		TMS320DA050-G	IC,C,D,E,F
IC8102		TC7MA2244FK	IC,C,D,E,F
IC8103		TC7S04FU	IC,C,D,E,F
Q1401		DTA114EE	TRANSISTOR
		or RN2102	TRANSISTOR
Q1402		UMC3N	TRANSISTOR
Q1403		UMC3N	TRANSISTOR
Q1405		DTC143EE	TRANSISTOR
Q1406		2SC4738FT/G/-X	TRANSISTOR
Q1407		DTC124EE	TRANSISTOR
Q1408		RN1104FT	TRANSISTOR
Q2701		RN1104FT	TRANSISTOR
Q2703		2SC4738FT/G/-X	TRANSISTOR
Q2704		2SC4738FT/G/-X	TRANSISTOR
Q2705		2SC4738FT/G/-X	TRANSISTOR
Q2751		RN1104FT	TRANSISTOR
Q2752		2SA1832FT/G/-X	TRANSISTOR
Q2753		2SA1832FT/G/-X	TRANSISTOR
Q2754		2SC4738FT/G/-X	TRANSISTOR
Q2755		UMX1N	PAIR TRANSISTOR
Q2756		2SA1832FT/G/-X	TRANSISTOR
Q2757		RN2104FT	TRANSISTOR
Q2758		RN1104FT	TRANSISTOR
Q2759		RN1104FT	TRANSISTOR
Q2760		2SC4738FT/G/-X	TRANSISTOR
Q3501		2SC4226/4/-X	TRANSISTOR
Q3502		2SD1979/S/-X	TRANSISTOR
Q3503		2SD1979/S/-X	TRANSISTOR
Q3504		2SC4226/4/-X	TRANSISTOR
Q3551		2SA1577/QR/-X	TRANSISTOR
Q3552		RN1104FT	TRANSISTOR
Q3701		RN1104FT	TRANSISTOR
Q3705		2SC4738FT/G/-X	TRANSISTOR,E,F
Q3706		RN1104FT	TRANSISTOR,E,F
Q3707		UMT2N	PAIR TRANSISTOR
Q3708		2SA1832FT/G/-X	TRANSISTOR
Q3709		2SA1832FT/G/-X	TRANSISTOR
Q3710		2SA1832FT/G/-X	TRANSISTOR
Q3711		2SC4738FT/G/-X	TRANSISTOR
Q3712		UMA2N	TRANSISTOR
Q3713		RN1104FT	TRANSISTOR
Q3714		RN1104FT	TRANSISTOR,E,F
Q3731		2SA1832FT/G/-X	TRANSISTOR
Q3801		HN1B04FU/YG/-X	PAIR TRANSISTOR,E,F
Q3851		UMC4N	TRANSISTOR,E,F
Q3852		HN1B04FU/YG/-X	PAIR TRANSISTOR,E,F
Q3853		2SC4738FT/G/-X	TRANSISTOR,E,F
Q3855		2SA1832FT/G/-X	TRANSISTORE,F
Q3856		HN2C01FU/YG/-X	PAIR TRANSISTOR,E,F
Q3857		HN1B04FU/YG/-X	PAIR TRANSISTOR,E,F
Q3858		DTC114EE	TRANSISTOR,E,F
Q4351		2SA1832FT/G/-X	TRANSISTOR
Q4352		UMT2N	PAIR TRANSISTOR

#	△ REF No.	PART No.	PART NAME, DESCRIPTION	#	△ REF No.	PART No.	PART NAME, DESCRIPTION	
	Q4353	UMT2N	PAIR TRANSISTOR	R1011	NRSA6AJ-102W	MG RESISTOR	1kΩ,1/16W	
	Q4354	2SA1832FT/G/-X	TRANSISTOR	R1012	NRSA6AJ-223W	MG RESISTOR	22kΩ,1/16W	
	Q6001	2SJ501	MOS FET	R1013	NRSA6AJ-102W	MG RESISTOR	1kΩ,1/16W	
	Q6002	2SK3019	MOS FET	R1015	NRSA6AJ-102W	MG RESISTOR	1kΩ,1/16W	
		or 2SK1830	MOS FET	R1016	NRSA6AJ-102W	MG RESISTOR	1kΩ,1/16W	
	Q6003	2SJ347	MOS FET	R1017	NRSA6AJ-103W	MG RESISTOR	10kΩ,1/16W	
	Q6004	2SK3019	MOS FET	R1018	NRSA6AJ-822W	MG RESISTOR	8.2kΩ,1/16W	
		or 2SK1830	MOS FET	R1019	NRSA6AJ-102W	MG RESISTOR	1kΩ,1/16W	
	Q6005	RN1104FT	TRANSISTOR	R1020	NRSA6AJ-123W	MG RESISTOR	12kΩ,1/16W	
	Q6006	2SJ501	MOS FET	R1021	NRSA6AJ-0R0W	MG RESISTOR	0Ω,1/16W	
	Q6007	RN47A3	TRANSISTOR	R1023	NRSA6AJ-0R0W	MG RESISTOR	0Ω,1/16W	
	Q6103	NDS352AP	MOS FET	R1024	NRSA6AJ-0R0W	MG RESISTOR	0Ω,1/16W	
	Q6104	NDS352AP	MOS FET	R1025	NRSA6AJ-0R0W	MG RESISTOR	0Ω,1/16W	
	Q6105	NDS352AP	MOS FET	R1028	NRSA6AJ-102W	MG RESISTOR	1kΩ,1/16W	
	Q6106	NDS352AP	MOS FET	R1030	NRSA6AJ-102W	MG RESISTOR	1kΩ,1/16W	
	Q6107	NDS352AP	MOS FET	R1031	NRSA6AJ-102W	MG RESISTOR	1kΩ,1/16W	
	Q6108	NDS352AP	MOS FET	R1032	NRSA6AJ-0R0W	MG RESISTOR	0Ω,1/16W	
	Q6109	NDS351AN	MOS FET	R1033	NRSA6AJ-102W	MG RESISTOR	1kΩ,1/16W	
	Q6110	NDS352AP	MOS FET	R1034	NRSA6AJ-0R0W	MG RESISTOR	0Ω,1/16W	
	Q6112	NDS352AP	MOS FET	R1035	NRSA6AJ-104W	MG RESISTOR	100kΩ,1/16W	
	Q6113	NDS351AN	MOS FET	R1036	NRSA63J-0R0X	MG RESISTOR	0Ω,1/16W	
	Q6201	HN1C01FU/G/-X	PAIR TRANSISTOR	R1037	NRSA6AJ-103W	MG RESISTOR	10kΩ,1/16W	
	Q6202	2SA1577/QR/-X	TRANSISTOR	R1038	NRSA6AJ-103W	MG RESISTOR	10kΩ,1/16W	
	Q6203	2SC4617/QR/-X	TRANSISTOR	R1039	NRSA6AJ-102W	MG RESISTOR	1kΩ,1/16W	
	Q6204	HN1A01FU/G/-X	PAIR TRANSISTOR	R1040	NRSA6AJ-102W	MG RESISTOR	1kΩ,1/16W	
	Q6205	2SC4617/QR/-X	TRANSISTOR	R1041	NRSA6AJ-104W	MG RESISTOR	100kΩ,1/16W	
	Q6206	2SA1774/QR/-X	TRANSISTOR	R1042	NRSA6AJ-473W	MG RESISTOR	47kΩ,1/16W	
	Q6207	DTC144EE	TRANSISTOR	R1043	NRSA6AJ-103W	MG RESISTOR	10kΩ,1/16W	
	Q6601	RN1104FT	TRANSISTOR,C,D,E,F	R1044	NRSA6AJ-472W	MG RESISTOR	4.7kΩ,1/16W	
	Q6602	2SA1873/YG/-X	PAIR TRANSISTOR,C,D,E,F	R1045	NRSA6AJ-222W	MG RESISTOR	2.2kΩ,1/16W	
	Q6611	2SA1832FT/G/-X	TRANSISTOR,C,D,E,F	R1047	NRSA6AD-473W	MG RESISTOR	47kΩ,1/16W	
	Q6612	2SA1873/YG/-X	PAIR TRANSISTOR,C,D,E,F	R1048	NRSA6AJ-104W	MG RESISTOR	100kΩ,1/16W	
	Q6613	2SC4738FT/G/-X	TRANSISTOR,C,D,E,F	R1050	NRSA6AJ-104W	MG RESISTOR	100kΩ,1/16W	
	Q6614	RN1702	TRANSISTOR,C,D,E,F	R1052	NRSA6AJ-103W	MG RESISTOR	10kΩ,1/16W	
	Q6615	UMC4N	TRANSISTOR,C,D,E,F	R1053	NRSA6AJ-0R0W	MG RESISTOR	0Ω,1/16W	
	D1002	1SS357	SB DIODE	R1054	NRSA6AJ-0R0W	MG RESISTOR	0Ω,1/16W	
	D1401	DA221	DIODE	R1055	NRSA6AJ-101W	MG RESISTOR	100Ω,1/16W	
	D2751	DAN222	DIODE	R1056	NRSA6AJ-101W	MG RESISTOR	100Ω,1/16W	
	D2752	DA221	DIODE	R1058	NRSA6AJ-0R0W	MG RESISTOR	0Ω,1/16W	
	D2753	DA221	DIODE	R1063	NRSA6AJ-102W	MG RESISTOR	1kΩ,1/16W	
	D4101	1SS355	DIODE	R1064	NRSA6AJ-473W	MG RESISTOR	47kΩ,1/16W	
△	D6001	RB706D-40-X	SB DIODE	R1067	NRSA6AJ-102W	MG RESISTOR	1kΩ,1/16W	
	D6002	RB715F	SB DIODE	R1068	NRSA6AJ-102W	MG RESISTOR	1kΩ,1/16W	
	D6101	EP10LA03	SB DIODE	R1080	NRSA6AJ-0R0W	MG RESISTOR	0Ω,1/16W	
	D6102	EP10LA03	SB DIODE	R1082	NRSA6AJ-0R0W	MG RESISTOR	0Ω,1/16W	
	D6103	EP10LA03	SB DIODE	R1084	NRSA6AJ-0R0W	MG RESISTOR	0Ω,1/16W	
	D6106	EP10LA03	SB DIODE	R1087	NRSA6AJ-104W	MG RESISTOR	100kΩ,1/16W	
	D6107	EP10LA03	SB DIODE	R1101	NRSA6AJ-333W	MG RESISTOR	33kΩ,1/16W	
	D6108	EP10LA03	SB DIODE	R1102	NRSA6AJ-472W	MG RESISTOR	4.7kΩ,1/16W	
	D6109	EP10LA03	SB DIODE	R1104	NRSA6AJ-105W	MG RESISTOR	1MΩ,1/16W	
	D6201	1SS383	SB DIODE	R1106	NRSA6AJ-105W	MG RESISTOR	1MΩ,1/16W	
	D6202	1SS383	SB DIODE	R1107	NRSA6AJ-103W	MG RESISTOR	10kΩ,1/16W	
	D6203	MA8091/L/-X	ZENER DIODE	R1108	NRSA6AJ-472W	MG RESISTOR	4.7kΩ,1/16W	
	R1002	NRSA6AJ-104W	MG RESISTOR	100kΩ,1/16W	R1109	NRSA6AJ-103W	MG RESISTOR	10kΩ,1/16W
	R1003	NRSA6AJ-104W	MG RESISTOR	100kΩ,1/16W	R1401	NRSA6AJ-102W	MG RESISTOR	1kΩ,1/16W
	R1004	NRSA6AJ-0R0W	MG RESISTOR	0Ω,1/16W	R1402	NRSA6AJ-222W	MG RESISTOR	2.2kΩ,1/16W
	R1005	NRSA6AJ-102W	MG RESISTOR	1kΩ,1/16W	R1403	NRSA6AJ-222W	MG RESISTOR	2.2kΩ,1/16W
	R1006	NRSA6AJ-102W	MG RESISTOR	1kΩ,1/16W	R1404	NRSA6AJ-0R0W	MG RESISTOR	0Ω,1/16W
	R1007	NRSA6AJ-473W	MG RESISTOR	47kΩ,1/16W	R1408	NRSA6AJ-472W	MG RESISTOR	4.7kΩ,1/16W
	R1009	NRSA6AJ-393W	MG RESISTOR	39kΩ,1/16W	R1409	NRSA6AJ-331W	MG RESISTOR	330Ω,1/16W
	R1010	NRSA6AJ-473W	MG RESISTOR	47kΩ,1/16W	R1410	NRSA6AJ-331W	MG RESISTOR	330Ω,1/16W

#	△	REF No.	PART No.	PART NAME, DESCRIPTION		#	△	REF No.	PART No.	PART NAME, DESCRIPTION	
R1411			NRSA6AJ-473W	MG RESISTOR	47kΩ,1/16W	R1487			NRSA6AJ-182W	MG RESISTOR	1.8kΩ,1/16W
R1412			NRSA6AJ-331W	MG RESISTOR	330Ω,1/16W	R1488			NRSA6AJ-152W	MG RESISTOR	1.5kΩ,1/16W
R1415			NRSA6AJ-0R0W	MG RESISTOR	0Ω,1/16W	R1489			NRSA6AJ-103W	MG RESISTOR	10kΩ,1/16W
R1417			NRSA6AJ-102W	MG RESISTOR	1kΩ,1/16W	R1490			NRSA6AJ-393W	MG RESISTOR	39kΩ,1/16W
R1418			NRSA6AJ-221W	MG RESISTOR	220Ω,1/16W	R1491			NRSA6AJ-273W	MG RESISTOR	27kΩ,1/16W
R1419			NRSA6AJ-221W	MG RESISTOR	220Ω,1/16W	R1495			NRSA6AJ-272W	MG RESISTOR	2.7kΩ,1/16W
R1420			NRSA6AJ-473W	MG RESISTOR	47kΩ,1/16W	R1496			NRSA6AJ-182W	MG RESISTOR	1.8kΩ,1/16W
R1422			NRSA6AJ-332W	MG RESISTOR	3.3kΩ,1/16W	R1497			NRSA6AJ-152W	MG RESISTOR	1.5kΩ,1/16W
R1423			NRSA6AJ-332W	MG RESISTOR	3.3kΩ,1/16W	R1498			NRSA6AJ-103W	MG RESISTOR	10kΩ,1/16W
R1424			NRSA6AJ-332W	MG RESISTOR	3.3kΩ,1/16W	R1499			NRSA6AJ-473W	MG RESISTOR	47kΩ,1/16W
R1425			NRSA6AJ-753W	MG RESISTOR	75kΩ,1/16W	R2701			NRSA6AJ-221W	MG RESISTOR	220Ω,1/16W
R1426			NRSA6AJ-334W	MG RESISTOR	330kΩ,1/16W	R2702			NRSA6AJ-100W	MG RESISTOR	10Ω,1/16W
R1427			NRSA6AJ-103W	MG RESISTOR	10kΩ,1/16W	R2705			NRSA6AJ-0R0W	MG RESISTOR	0Ω,1/16W
R1428			NRSA6AJ-153W	MG RESISTOR	15kΩ,1/16W	R2706			NRSA6AJ-104W	MG RESISTOR	100kΩ,1/16W
R1429			NRSA6AJ-102W	MG RESISTOR	1kΩ,1/16W	R2709			NRSA6AJ-221W	MG RESISTOR	220Ω,1/16W
R1430			NRSA6AJ-102W	MG RESISTOR	1kΩ,1/16W	R2710			NRSA6AJ-332W	MG RESISTOR	3.3kΩ,1/16W
R1431			NRSA6AJ-683W	MG RESISTOR	68kΩ,1/16W	R2711			NRSA6AJ-103W	MG RESISTOR	10kΩ,1/16W
R1432			NRSA6AJ-102W	MG RESISTOR	1kΩ,1/16W	R2712			NRSA6AJ-103W	MG RESISTOR	10kΩ,1/16W
R1433			NRSA6AJ-683W	MG RESISTOR	68kΩ,1/16W	R2713			NRSA6AJ-822W	MG RESISTOR	8.2kΩ,1/16W
R1434			NRSA63J-101X	MG RESISTOR	100Ω,1/16W	R2714			NRSA6AJ-822W	MG RESISTOR	8.2kΩ,1/16W
R1436			NRSA63J-820X	MG RESISTOR	82Ω,1/16W	R2716			NRSA6AJ-0R0W	MG RESISTOR	0Ω,1/16W
R1438			NRSA6AJ-0R0W	MG RESISTOR	0Ω,1/16W	R2719			NRSA6AJ-103W	MG RESISTOR	10kΩ,1/16W
R1439			NRSA6AJ-332W	MG RESISTOR	3.3kΩ,1/16W	R2721			NRSA6AJ-103W	MG RESISTOR	10kΩ,1/16W
R1440			NRSA6AJ-332W	MG RESISTOR	3.3kΩ,1/16W	R2722			NRSA6AJ-0R0W	MG RESISTOR	0Ω,1/16W
R1441			NRSA6AJ-332W	MG RESISTOR	3.3kΩ,1/16W	R2725			NRSA6AJ-332W	MG RESISTOR	3.3kΩ,1/16W
R1442			NRSA6AJ-332W	MG RESISTOR	3.3kΩ,1/16W	R2751			NRSA6AJ-820W	MG RESISTOR	82Ω,1/16W
R1443			NRSA6AJ-0R0W	MG RESISTOR	0Ω,1/16W	R2752			NRSA6AJ-820W	MG RESISTOR	82Ω,1/16W
R1444			NRSA6AJ-0R0W	MG RESISTOR	0Ω,1/16W	R2753			NRSA6AJ-104W	MG RESISTOR	100kΩ,1/16W
R1447			NRSA6AJ-103W	MG RESISTOR	10kΩ,1/16W	R2754			NRSA6AJ-104W	MG RESISTOR	100kΩ,1/16W
R1448			NRSA6AJ-153W	MG RESISTOR	15kΩ,1/16W	R2755			NRSA6AJ-104W	MG RESISTOR	100kΩ,1/16W
R1449			NRSA6AJ-472W	MG RESISTOR	4.7kΩ,1/16W	R2756			NRSA6AJ-332W	MG RESISTOR	3.3kΩ,1/16W
R1450			NRSA6AJ-103W	MG RESISTOR	10kΩ,1/16W	R2757			NRSA6AJ-564W	MG RESISTOR	560kΩ,1/16W
R1451			NRSA6AJ-224W	MG RESISTOR	220kΩ,1/16W	R2758			NRSA6AJ-564W	MG RESISTOR	560kΩ,1/16W
R1452			NRSA6AJ-334W	MG RESISTOR	330kΩ,1/16W	R2759			NRSA6AJ-821W	MG RESISTOR	820Ω,1/16W
R1453			NRSA6AJ-103W	MG RESISTOR	10kΩ,1/16W	R2760			NRSA6AJ-821W	MG RESISTOR	820Ω,1/16W
R1454			NRSA6AJ-474W	MG RESISTOR	470kΩ,1/16W	R2764			NRSA6AJ-182W	MG RESISTOR	1.8kΩ,1/16W
R1455			NRSA6AJ-154W	MG RESISTOR	150kΩ,1/16W	R2766			NRSA6AJ-0R0W	MG RESISTOR	0Ω,1/16W
R1456			NRSA6AJ-473W	MG RESISTOR	47kΩ,1/16W	R2767			NRSA6AJ-222W	MG RESISTOR	2.2kΩ,1/16W
R1457			NRSA6AJ-272W	MG RESISTOR	2.7kΩ,1/16W	R2768			NRSA6AJ-564W	MG RESISTOR	560kΩ,1/16W
R1458			NRSA6AJ-183W	MG RESISTOR	18kΩ,1/16W	R2769			NRSA6AJ-152W	MG RESISTOR	1.5kΩ,1/16W
R1459			NRSA6AJ-472W	MG RESISTOR	4.7kΩ,1/16W	R2770			NRSA6AJ-104W	MG RESISTOR	100kΩ,1/16W
R1460			NRSA6AJ-103W	MG RESISTOR	10kΩ,1/16W	R2771			NRSA6AJ-0R0W	MG RESISTOR	0Ω,1/16W
R1461			NRSA6AJ-104W	MG RESISTOR	100kΩ,1/16W	R2772			NRSA6AJ-0R0W	MG RESISTOR	0Ω,1/16W
R1462			NRSA6AJ-102W	MG RESISTOR	1kΩ,1/16W	R2773			NRSA6AJ-0R0W	MG RESISTOR	0Ω,1/16W
R1463			NRSA6AJ-102W	MG RESISTOR	1kΩ,1/16W	R2774			NRSA6AJ-102W	MG RESISTOR	1kΩ,1/16W
R1464			NRSA6AJ-102W	MG RESISTOR	1kΩ,1/16W	R3001			NRSA6AJ-101W	MG RESISTOR	100Ω,1/16W
R1465			NRSA6AJ-103W	MG RESISTOR	10kΩ,1/16W	R3002			NRSA6AJ-105W	MG RESISTOR	1MΩ,1/16W
R1466			NRSA6AJ-474W	MG RESISTOR	470kΩ,1/16W	R3003			NRSA6AJ-471W	MG RESISTOR	470Ω,1/16W
R1469			NRSA6AJ-102W	MG RESISTOR	1kΩ,1/16W	R3004			NRSA6AJ-331W	MG RESISTOR	330Ω,1/16W
R1470			NRSA6AJ-473W	MG RESISTOR	47kΩ,1/16W	R3006			NRSA6AJ-0R0W	MG RESISTOR	0Ω,1/16W
R1471			NRSA6AJ-102W	MG RESISTOR	1kΩ,1/16W	R3007			NRSA6AJ-0R0W	MG RESISTOR	0Ω,1/16W
R1472			NRSA6AJ-473W	MG RESISTOR	47kΩ,1/16W	R3008			NRSA6AJ-0R0W	MG RESISTOR	0Ω,1/16W
R1474			NRSA6AJ-472W	MG RESISTOR	4.7kΩ,1/16W	R3010			NRSA6AJ-0R0W	MG RESISTOR	0Ω,1/16W
R1478			NRSA63J-0R0X	MG RESISTOR	0Ω,1/16W	R3012			NRSA6AJ-0R0W	MG RESISTOR	0Ω,1/16W
R1480			NRSA6AJ-682W	MG RESISTOR	6.8kΩ,1/16W	R3014			NRSA6AJ-124W	MG RESISTOR	120kΩ,1/16W
R1481			NRSA6AJ-392W	MG RESISTOR	3.9kΩ,1/16W	R3015			NRSA6AJ-124W	MG RESISTOR	120kΩ,1/16W
R1482			NRSA6AJ-272W	MG RESISTOR	2.7kΩ,1/16W	R3016			NRSA6AJ-0R0W	MG RESISTOR	0Ω,1/16W
R1483			NRSA6AJ-182W	MG RESISTOR	1.8kΩ,1/16W	R3017			NRSA6AJ-272W	MG RESISTOR	2.7kΩ,1/16W
R1484			NRSA6AJ-152W	MG RESISTOR	1.5kΩ,1/16W	R3018			NRSA6AJ-102W	MG RESISTOR	1kΩ,1/16W
R1485			NRSA6AJ-103W	MG RESISTOR	10kΩ,1/16W	R3019			NRSA6AJ-101W	MG RESISTOR	100Ω,1/16W
R1486			NRSA6AJ-272W	MG RESISTOR	2.7kΩ,1/16W	R3021			NRSA6AJ-0R0W	MG RESISTOR	0Ω,1/16W

#	▲	REF No.	PART No.	PART NAME, DESCRIPTION		#	▲	REF No.	PART No.	PART NAME, DESCRIPTION	
R3022			NRSA6AJ-0R0W	MG RESISTOR	0Ω, 1/16W	R3338			NRSA6AJ-153W	MG RESISTOR	15kΩ, 1/16W
R3024			NRSA6AJ-100W	MG RESISTOR	10Ω, 1/16W	R3339			NRSA6AJ-273W	MG RESISTOR	27kΩ, 1/16W
R3026			NRSA6AJ-0R0W	MG RESISTOR	0Ω, 1/16W	R3340			NRSA6AJ-393W	MG RESISTOR	39kΩ, 1/16W
R3031			NRSA6AJ-472W	MG RESISTOR	4.7kΩ, 1/16W	R3341			NRSA6AJ-223W	MG RESISTOR	22kΩ, 1/16W
R3032			NRSA6AJ-682W	MG RESISTOR	6.8kΩ, 1/16W	R3342			NRSA6AJ-102W	MG RESISTOR	1kΩ, 1/16W
R3033			NRSA6AJ-105W	MG RESISTOR	1MΩ, 1/16W	R3344			NRSA6AJ-101W	MG RESISTOR	100Ω, 1/16W
R3036			NRSA6AJ-105W	MG RESISTOR	1MΩ, 1/16W	R3349			NRSA6AJ-0R0W	MG RESISTOR	0Ω, 1/16W
R3037			NRSA6AJ-101W	MG RESISTOR	100Ω, 1/16W	R3350			NRSA6AJ-471W	MG RESISTOR	470Ω, 1/16W
R3038			NRSA6AJ-0R0W	MG RESISTOR	0Ω, 1/16W	R3351			NRSA6AJ-102W	MG RESISTOR	1kΩ, 1/16W
R3039			NRSA6AJ-0R0W	MG RESISTOR	0Ω, 1/16W	R3352			NRSA6AJ-562W	MG RESISTOR	5.6kΩ, 1/16W
R3040			NRSA6AJ-0R0W	MG RESISTOR	0Ω, 1/16W	R3353			NRSA6AJ-473W	MG RESISTOR	47kΩ, 1/16W
R3041			NRSA6AJ-0R0W	MG RESISTOR	0Ω, 1/16W	R3502			NRSA6AJ-471W	MG RESISTOR	470Ω, 1/16W
R3101			NRSA6AJ-331W	MG RESISTOR	330Ω, 1/16W	R3503			NRSA6AJ-103W	MG RESISTOR	10kΩ, 1/16W
R3102			NRSA6AJ-103W	MG RESISTOR	10kΩ, 1/16W	R3504			NRSA6AJ-471W	MG RESISTOR	470Ω, 1/16W
R3103			NRSA6AJ-331W	MG RESISTOR	330Ω, 1/16W	R3505			NRSA6AJ-680W	MG RESISTOR	68Ω, 1/16W
R3104			NRSA6AJ-394W	MG RESISTOR	390kΩ, 1/16W	R3506			NRSA6AJ-152W	MG RESISTOR	1.5kΩ, 1/16W
R3105			NRSA6AJ-104W	MG RESISTOR	100kΩ, 1/16W	R3507			NRSA6AJ-123W	MG RESISTOR	12kΩ, 1/16W
R3106			NRSA6AJ-472W	MG RESISTOR	4.7kΩ, 1/16W	R3508			NRSA6AJ-102W	MG RESISTOR	1kΩ, 1/16W
R3107			NRSA6AJ-560W	MG RESISTOR	56Ω, 1/16W	R3509			NRSA6AJ-181W	MG RESISTOR	180Ω, 1/16W
R3108			NRSA6AJ-560W	MG RESISTOR	56Ω, 1/16W	R3510			NRSA6AJ-181W	MG RESISTOR	180Ω, 1/16W
R3109			NRSA6AJ-560W	MG RESISTOR	56Ω, 1/16W	R3511			NRSA6AJ-102W	MG RESISTOR	1kΩ, 1/16W
R3110			NRSA6AJ-560W	MG RESISTOR	56Ω, 1/16W	R3512			NRSA6AJ-123W	MG RESISTOR	12kΩ, 1/16W
R3111			NRSA6AJ-512W	MG RESISTOR	5.1kΩ, 1/16W	R3513			NRSA6AJ-152W	MG RESISTOR	1.5kΩ, 1/16W
R3112			NRSA6AJ-0R0W	MG RESISTOR	0Ω, 1/16W	R3514			NRSA6AJ-680W	MG RESISTOR	68Ω, 1/16W
R3113			NRSA6AJ-474W	MG RESISTOR	470kΩ, 1/16W	R3515			NRSA6AJ-100W	MG RESISTOR	10Ω, 1/16W
R3114			NRSA6AJ-512W	MG RESISTOR	5.1kΩ, 1/16W	R3516			NRSA6AJ-152W	MG RESISTOR	1.5kΩ, 1/16W
R3201			NRSA6AJ-0R0W	MG RESISTOR	0Ω, 1/16W	R3517			NRSA6AJ-102W	MG RESISTOR	1kΩ, 1/16W
R3202			NRSA6AJ-0R0W	MG RESISTOR	0Ω, 1/16W	R3551			NRSA6AJ-473W	MG RESISTOR	47kΩ, 1/16W
R3203			NRSA6AJ-272W	MG RESISTOR	2.7kΩ, 1/16W	R3552			NRSA6AJ-392W	MG RESISTOR	3.9kΩ, 1/16W
R3204			NRSA6AJ-473W	MG RESISTOR	47kΩ, 1/16W	R3554			NRSA6AJ-471W	MG RESISTOR	470Ω, 1/16W
R3208			NRSA6AJ-820W	MG RESISTOR	82Ω, 1/16W	R3555			NRSA6AJ-0R0W	MG RESISTOR	0Ω, 1/16W
R3209			NRSA6AJ-101W	MG RESISTOR	100Ω, 1/16W	R3556			NRSA6AJ-0R0W	MG RESISTOR	0Ω, 1/16W
R3211			NRSA6AJ-105W	MG RESISTOR	1MΩ, 1/16W	R3701			NRSA6AJ-225W	MG RESISTOR	2.2MΩ, 1/16W
R3303			NRSA6AJ-823W	MG RESISTOR	82kΩ, 1/16W	R3702			NRSA6AJ-103W	MG RESISTOR	10kΩ, 1/16W
R3305			NRSA6AJ-121W	MG RESISTOR	120Ω, 1/16W	R3703			NRSA6AJ-103W	MG RESISTOR	10kΩ, 1/16W
R3306			NRSA6AJ-391W	MG RESISTOR	390Ω, 1/16W	R3704			NRSA6AJ-121W	MG RESISTOR	120Ω, 1/16W
R3308			NRSA6AJ-152W	MG RESISTOR	1.5kΩ, 1/16W	R3705			NRSA6AJ-121W	MG RESISTOR	120Ω, 1/16W
R3310			NRSA6AJ-102W	MG RESISTOR	1kΩ, 1/16W	R3706			NRSA6AJ-821W	MG RESISTOR	820Ω, 1/16W
R3312			NRSA6AJ-222W	MG RESISTOR	2.2kΩ, 1/16W	R3707			NRSA6AJ-224W	MG RESISTOR	220kΩ, 1/16W
R3315			NRSA6AJ-103W	MG RESISTOR	10kΩ, 1/16W	R3708			NRSA6AJ-103W	MG RESISTOR	10kΩ, 1/16W
R3316			NRSA6AJ-0R0W	MG RESISTOR	0Ω, 1/16W	R3709			NRSA6AJ-680W	MG RESISTOR	68Ω, 1/16W
R3317			NRSA6AJ-222W	MG RESISTOR	2.2kΩ, 1/16W	R3710			NRSA6AJ-0R0W	MG RESISTOR	0Ω, 1/16W
R3318			NRSA6AJ-562W	MG RESISTOR	5.6kΩ, 1/16W	R3711			NRSA6AJ-680W	MG RESISTOR	68Ω, 1/16W
R3319			NRSA6AJ-102W	MG RESISTOR	1kΩ, 1/16W	R3712			NRSA6AJ-0R0W	MG RESISTOR	0Ω, 1/16W
R3320			NRSA6AJ-102W	MG RESISTOR	1kΩ, 1/16W	R3713			NRSA6AJ-680W	MG RESISTOR	68Ω, 1/16W
R3322			NRSA6AJ-222W	MG RESISTOR	2.2kΩ, 1/16W	R3714			NRSA6AJ-0R0W	MG RESISTOR	0Ω, 1/16W
R3323			NRSA6AJ-823W	MG RESISTOR	82kΩ, 1/16W	R3718			NRSA6AJ-101W	MG RESISTOR, E, F	100Ω, 1/16W
R3324			NRSA6AJ-223W	MG RESISTOR	22kΩ, 1/16W	R3719			NRSA6AJ-472W	MG RESISTOR, E, F	4.7kΩ, 1/16W
R3325			NRSA6AJ-103W	MG RESISTOR	10kΩ, 1/16W	R3720			NRSA6AJ-472W	MG RESISTOR	4.7kΩ, 1/16W
R3326			NRSA6AJ-103W	MG RESISTOR	10kΩ, 1/16W	R3721			NRSA6AJ-203W	MG RESISTOR	20kΩ, 1/16W
R3327			NRSA6AJ-103W	MG RESISTOR	10kΩ, 1/16W	R3722			NRSA6AJ-103W	MG RESISTOR	10kΩ, 1/16W
R3328			NRSA6AJ-822W	MG RESISTOR	8.2kΩ, 1/16W	R3723			NRSA6AJ-103W	MG RESISTOR	10kΩ, 1/16W
R3329			NRSA6AJ-105W	MG RESISTOR	1MΩ, 1/16W	R3724			NRSA6AJ-103W	MG RESISTOR	10kΩ, 1/16W
R3330			NRSA6AJ-473W	MG RESISTOR	47kΩ, 1/16W	R3725			NRSA6AJ-100W	MG RESISTOR	10Ω, 1/16W
R3331			NRSA6AJ-473W	MG RESISTOR	47kΩ, 1/16W	R3726			NRSA6AJ-100W	MG RESISTOR	10Ω, 1/16W
R3332			NRSA6AJ-823W	MG RESISTOR	82kΩ, 1/16W	R3727			NRSA6AJ-680W	MG RESISTOR	68Ω, 1/16W
R3333			NRSA6AJ-333W	MG RESISTOR	33kΩ, 1/16W	R3728			NRSA6AJ-821W	MG RESISTOR	820Ω, 1/16W
R3334			NRSA6AJ-105W	MG RESISTOR	1MΩ, 1/16W	R3731			NRVA6AD-681W	CMF RESISTOR	680Ω, 1/16W
R3335			NRSA6AJ-822W	MG RESISTOR	8.2kΩ, 1/16W	R3732			NRVA6AD-472W	CMF RESISTOR	4.7kΩ, 1/16W
R3336			NRSA6AJ-103W	MG RESISTOR	10kΩ, 1/16W	R3733			NRVA6AD-332W	CMF RESISTOR	3.3kΩ, 1/16W
R3337			NRSA6AJ-103W	MG RESISTOR	10kΩ, 1/16W	R3734			NRSA6AJ-222W	MG RESISTOR	2.2kΩ, 1/16W

#	△ REF No.	PART No.	PART NAME, DESCRIPTION	#	△ REF No.	PART No.	PART NAME, DESCRIPTION
R3801		NRSA6AJ-101W	MG RESISTOR,E,F 100Ω,1/16W	R4328		NRSA6AJ-220W	MG RESISTOR 22Ω,1/16W
R3802		NRSA6AJ-103W	MG RESISTOR,E,F 10kΩ,1/16W	R4329		NRSA6AJ-220W	MG RESISTOR 22Ω,1/16W
R3803		NRSA6AJ-103W	MG RESISTOR,E,F 10kΩ,1/16W	R4334		NRSA6AJ-220W	MG RESISTOR 22Ω,1/16W
R3804		NRSA6AJ-101W	MG RESISTOR,E,F 100Ω,1/16W	R4335		NRSA6AJ-220W	MG RESISTOR 22Ω,1/16W
R3805		NRSA6AJ-472W	MG RESISTOR,E,F 4.7kΩ,1/16W	R4336		NRSA6AJ-0R0W	MG RESISTOR 0Ω,1/16W
R3806		NRSA6AJ-103W	MG RESISTOR,E,F 10kΩ,1/16W	R4338		NRSA6AJ-470W	MG RESISTOR 47Ω,1/16W
R3809		NRVA6AD-681W	CMF RESISTOR,E,F 680Ω,1/16W	R4339		NRSA6AJ-220W	MG RESISTOR 22Ω,1/16W
R3810		NRVA6AD-102W	CMF RESISTOR,E,F 1kΩ,1/16W	R4340		NRSA6AJ-220W	MG RESISTOR 22Ω,1/16W
R3811		NRVA6AD-153W	CMF RESISTOR,E,F 15kΩ,1/16W	R4341		NRSA6AJ-220W	MG RESISTOR 22Ω,1/16W
R3812		NRVA6AD-123W	CMF RESISTOR,E,F 12kΩ,1/16W	R4342		NRSA6AJ-220W	MG RESISTOR 22Ω,1/16W
R3813		NRSA6AJ-222W	MG RESISTOR,E,F 2.2kΩ,1/16W	R4345		NRSA6AJ-220W	MG RESISTOR 22Ω,1/16W
R3814		NRVA6AD-820W	CMF RESISTOR,E,F 82Ω,1/16W	R4347		NRSA6AJ-123W	MG RESISTOR,A,B,C,D 12kΩ,1/16W
R3851		NRVA6AD-102W	CMF RESISTOR,E,F 1kΩ,1/16W	R4348		NRSA6AJ-153W	MG RESISTOR 15kΩ,1/16W
R3852		NRSA6AJ-273W	MG RESISTOR,E,F 27kΩ,1/16W	R4351		NRSA6AJ-0R0W	MG RESISTOR,A,B,C,D 0Ω,1/16W
R3853		NRVA6AD-112W	CMF RESISTOR,E,F 1.1kΩ,1/16W	R4352		NRSA6AJ-0R0W	MG RESISTOR,A,B,C,D 0Ω,1/16W
R3854		NRSA6AJ-223W	MG RESISTOR,E,F 22kΩ,1/16W	R4353		NRSA6AJ-0R0W	MG RESISTOR,A,B,C,D 0Ω,1/16W
R3855		NRSA6AJ-223W	MG RESISTOR,E,F 22kΩ,1/16W	R4354		NRSA6AJ-0R0W	MG RESISTOR,A,B,C,D 0Ω,1/16W
R3856		NRSA6AJ-681W	MG RESISTOR,E,F 680Ω,1/16W	R4355		NRVA6AD-333W	CMF RESISTOR,A,B,C,D 33kΩ,1/16W
R3857		NRSA6AJ-821W	MG RESISTOR,E,F 820Ω,1/16W	R4356		NRSA6AJ-272W	MG RESISTOR,E,F 2.7kΩ,1/16W
R3858		NRSA6AJ-821W	MG RESISTOR,E,F 820Ω,1/16W			NRVA6AD-333W	CMF RESISTOR,A,B,C,D 33kΩ,1/16W
R3859		NRSA6AJ-102W	MG RESISTOR,E,F 1kΩ,1/16W	R4358		NRSA6AJ-272W	MG RESISTOR,E,F 2.7kΩ,1/16W
R3861		NRVA6AD-102W	CMF RESISTOR,E,F 1kΩ,1/16W			NRVA6AD-163W	CMF RESISTOR,A,B,C,D 16kΩ,1/16W
R3863		NRVA6AD-112W	CMF RESISTOR,E,F 1.1kΩ,1/16W	R4359		NRVA6AD-363W	CMF RESISTOR,A,B,C,D 36kΩ,1/16W
R3869		NRSA6AJ-102W	MG RESISTOR,E,F 1kΩ,1/16W	R4360		NRSA6AJ-272W	MG RESISTOR,E,F 2.7kΩ,1/16W
R3870		NRSA6AJ-471W	MG RESISTOR,E,F 470Ω,1/16W			NRVA6AD-163W	CMF RESISTOR,A,B,C,D 16kΩ,1/16W
R3871		NRSA6AJ-332W	MG RESISTOR,E,F 3.3kΩ,1/16W	R4361		NRVA6AD-333W	CMF RESISTOR,A,B,C,D 33kΩ,1/16W
R3873		NRSA6AJ-102W	MG RESISTOR,E,F 1kΩ,1/16W	R4362		NRSA6AJ-272W	MG RESISTOR,E,F 2.7kΩ,1/16W
R3874		NRSA6AJ-332W	MG RESISTOR,E,F 3.3kΩ,1/16W			NRVA6AD-163W	CMF RESISTOR,A,B,C,D 16kΩ,1/16W
R3875		NRSA6AJ-0R0W	MG RESISTOR,E,F 0Ω,1/16W	R4363		NRSA6AJ-153W	MG RESISTOR 15kΩ,1/16W
R3876		NRSA6AJ-0R0W	MG RESISTOR,E,F 0Ω,1/16W	R4364		NRSA6AJ-103W	MG RESISTOR 10kΩ,1/16W
R4101		NRSA6AJ-104W	MG RESISTOR 100kΩ,1/16W	R4365		NRSA6AJ-0R0W	MG RESISTOR 0Ω,1/16W
R4208		NRSA6AJ-223W	MG RESISTOR 22kΩ,1/16W	R4367		NRSA6AJ-102W	MG RESISTOR 1kΩ,1/16W
R4209		NRSA6AJ-220W	MG RESISTOR 22Ω,1/16W	R4369		NRVA6AD-101W	CMF RESISTOR,E,F 100Ω,1/16W
R4211		NRSA6AJ-221W	MG RESISTOR 220Ω,1/16W			NRVA6AD-181W	CMF RESISTOR,A,B,C,D 180Ω,1/16W
R4212		NRSA6AJ-221W	MG RESISTOR 220Ω,1/16W	R4370		NRSA6AJ-102W	MG RESISTOR 1kΩ,1/16W
R4213		NRSA6AJ-221W	MG RESISTOR 220Ω,1/16W	R4371		NRVA6AD-680W	CMF RESISTOR,A,B,C,D 68Ω,1/16W
R4214		NRSA6AJ-221W	MG RESISTOR 220Ω,1/16W			NRVA6AD-750W	CMF RESISTOR,E,F 75Ω,1/16W
R4215		NRSA6AJ-221W	MG RESISTOR 220Ω,1/16W	R4372		NRSA6AJ-222W	MG RESISTOR 2.2kΩ,1/16W
R4216		NRSA6AJ-221W	MG RESISTOR 220Ω,1/16W	R4373		NRSA6AJ-222W	MG RESISTOR 2.2kΩ,1/16W
R4217		NRSA6AJ-221W	MG RESISTOR 220Ω,1/16W	R4374		NRVA6AD-560W	CMF RESISTOR 56Ω,1/16W
R4218		NRSA6AJ-221W	MG RESISTOR 220Ω,1/16W	R4375		NRVA6AD-271W	CMF RESISTOR 270Ω,1/16W
R4219		NRSA6AJ-221W	MG RESISTOR 220Ω,1/16W	R4376		NRSA6AJ-222W	MG RESISTOR 2.2kΩ,1/16W
R4220		NRSA6AJ-221W	MG RESISTOR 220Ω,1/16W	R4377		NRVA6AD-270W	CMF RESISTOR 27Ω,1/16W
R4302		NRSA6AJ-330W	MG RESISTOR 33Ω,1/16W	R4378		NRSA6AJ-222W	MG RESISTOR 2.2kΩ,1/16W
R4303		NRSA6AJ-101W	MG RESISTOR 100Ω,1/16W	R4379		NRSA6AJ-333W	MG RESISTOR,E,F 33kΩ,1/16W
R4304		NRSA6AJ-101W	MG RESISTOR 100Ω,1/16W			NRVA6AD-273W	CMF RESISTOR,A,B,C,D 27kΩ,1/16W
R4305		NRSA6AJ-101W	MG RESISTOR 100Ω,1/16W	R4381		NRSA6AJ-333W	MG RESISTOR,E,F 33kΩ,1/16W
R4306		NRSA6AJ-101W	MG RESISTOR 100Ω,1/16W			NRVA6AD-273W	CMF RESISTOR,A,B,C,D 27kΩ,1/16W
R4308		NRSA6AJ-0R0W	MG RESISTOR,A,B,C,D 0Ω,1/16W	R4382		NRSA6AJ-333W	MG RESISTOR,E,F 33kΩ,1/16W
R4310		NRSA6AJ-0R0W	MG RESISTOR 0Ω,1/16W			NRVA6AD-273W	CMF RESISTOR,A,B,C,D 27kΩ,1/16W
R4313		NRSA6AJ-0R0W	MG RESISTOR 0Ω,1/16W	R4383		NRSA6AJ-221W	MG RESISTOR 220Ω,1/16W
R4314		NRSA6AJ-0R0W	MG RESISTOR 0Ω,1/16W	R4384		NRSA6AJ-221W	MG RESISTOR 220Ω,1/16W
R4315		NRSA6AJ-0R0W	MG RESISTOR 0Ω,1/16W	R4385		NRSA6AJ-221W	MG RESISTOR 220Ω,1/16W
R4316		NRSA6AJ-0R0W	MG RESISTOR 0Ω,1/16W	R4386		NRSA6AJ-221W	MG RESISTOR 220Ω,1/16W
R4317		NRSA6AJ-0R0W	MG RESISTOR 0Ω,1/16W	R4387		NRSA6AJ-221W	MG RESISTOR 220Ω,1/16W
R4318		NRSA6AJ-101W	MG RESISTOR 100Ω,1/16W	R4388		NRSA6AJ-221W	MG RESISTOR 220Ω,1/16W
R4320		NRSA6AJ-220W	MG RESISTOR 22Ω,1/16W	R4389		NRSA6AJ-221W	MG RESISTOR 220Ω,1/16W
R4321		NRSA6AJ-220W	MG RESISTOR 22Ω,1/16W	R4390		NRSA6AJ-221W	MG RESISTOR 220Ω,1/16W
R4322		NRSA6AJ-333W	MG RESISTOR 33kΩ,1/16W	R5005		NRSA6AJ-220W	MG RESISTOR 22Ω,1/16W
R4323		NRSA6AJ-333W	MG RESISTOR 33kΩ,1/16W	R5006		NRSA6AJ-220W	MG RESISTOR 22Ω,1/16W
R4327		NRSA6AJ-0R0W	MG RESISTOR 0Ω,1/16W	R5007		NRSA6AJ-220W	MG RESISTOR 22Ω,1/16W

#	△	REF No.	PART No.	PART NAME, DESCRIPTION	#	△	REF No.	PART No.	PART NAME, DESCRIPTION
R5009			NRSA6AJ-0R0W	MG RESISTOR 0Ω,1/16W	R6136			NRVA6AD-562W	CMF RESISTOR 5.6kΩ,1/16W
R5010			NRSA6AJ-330W	MG RESISTOR 33Ω,1/16W	R6138			NRVA6AD-333W	CMF RESISTOR 33kΩ,1/16W
R5011			NRSA6AJ-330W	MG RESISTOR 33Ω,1/16W	R6139			NRVA6AD-272W	CMF RESISTOR 2.7kΩ,1/16W
R5012			NRSA6AJ-220W	MG RESISTOR 22Ω,1/16W	R6140			NRVA6AD-302W	CMF RESISTOR 3kΩ,1/16W
R5013			NRSA6AJ-0R0W	MG RESISTOR 0Ω,1/16W	R6142			NRVA6AD-562W	CMF RESISTOR 5.6kΩ,1/16W
R5014			NRSA6AJ-220W	MG RESISTOR 22Ω,1/16W	R6143			NRVA6AD-682W	CMF RESISTOR 6.8kΩ,1/16W
R5015			NRSA6AJ-220W	MG RESISTOR 22Ω,1/16W	R6144			NRVA6AD-392W	CMF RESISTOR 3.9kΩ,1/16W
R5016			NRSA6AJ-0R0W	MG RESISTOR 0Ω,1/16W	R6146			NRVA6AD-472W	CMF RESISTOR 4.7kΩ,1/16W
R5018			NRSA6AJ-330W	MG RESISTOR 33Ω,1/16W	R6147			NRSA6AJ-4R7W	MG RESISTOR 4.7Ω,1/16W
R5020			NRSA6AJ-220W	MG RESISTOR 22Ω,1/16W	R6148			NRSA6AJ-4R7W	MG RESISTOR 4.7Ω,1/16W
R5021			NRSA6AJ-220W	MG RESISTOR 22Ω,1/16W	R6151			NRSA6AJ-4R7W	MG RESISTOR 4.7Ω,1/16W
R5022			NRSA6AJ-121W	MG RESISTOR,A,B,E,F 120Ω,1/16W	R6152			NRSA6AJ-4R7W	MG RESISTOR 4.7Ω,1/16W
			NRSA6AJ-181W	MG RESISTOR,C,D 180Ω,1/16W	R6155			NRSA6AJ-330W	MG RESISTOR 33Ω,1/16W
R5024			NRSA6AJ-330W	MG RESISTOR 33Ω,1/16W	R6156			NRSA6AJ-4R7W	MG RESISTOR 4.7Ω,1/16W
R5025			NRSA6AJ-330W	MG RESISTOR 33Ω,1/16W	R6157			NRSA6AJ-330W	MG RESISTOR 33Ω,1/16W
R5026			NRSA6AJ-220W	MG RESISTOR 22Ω,1/16W	R6158			NRSA6AJ-330W	MG RESISTOR 33Ω,1/16W
R5027			NRSA6AJ-330W	MG RESISTOR 33Ω,1/16W	R6159			NRSA6AJ-102W	MG RESISTOR 1kΩ,1/16W
R5028			NRSA6AJ-330W	MG RESISTOR 33Ω,1/16W	R6163			NRSA6AJ-0R0W	MG RESISTOR 0Ω,1/16W
R6001			NRSA6AJ-104W	MG RESISTOR 100kΩ,1/16W	R6171			NRSA6AJ-0R0W	MG RESISTOR 0Ω,1/16W
R6002			NRVA6AD-183W	CMF RESISTOR 18kΩ,1/16W	R6201			NRSA6AJ-473W	MG RESISTOR 47kΩ,1/16W
R6003			NRSA6AJ-104W	MG RESISTOR 100kΩ,1/16W	R6202			NRVA6AD-273W	CMF RESISTOR 27kΩ,1/16W
R6004			NRSA6AJ-102W	MG RESISTOR 1kΩ,1/16W	R6203			NRVA6AD-153W	CMF RESISTOR 15kΩ,1/16W
R6005			NRSA6AJ-224W	MG RESISTOR 220kΩ,1/16W	R6204			NRVA6AD-473W	CMF RESISTOR 47kΩ,1/16W
R6006			NRSA6AJ-104W	MG RESISTOR 100kΩ,1/16W	R6205			NRVA6AD-823W	CMF RESISTOR 82kΩ,1/16W
R6007			NRSA6AJ-104W	MG RESISTOR 100kΩ,1/16W	R6206			NRVA6AD-473W	CMF RESISTOR 47kΩ,1/16W
R6009			NRSA6AJ-222W	MG RESISTOR 2.2kΩ,1/16W	R6207			NRSA6AJ-222W	MG RESISTOR 2.2kΩ,1/16W
R6010			NRSA6AJ-104W	MG RESISTOR 100kΩ,1/16W	R6209			NRVA6AD-563W	CMF RESISTOR 56kΩ,1/16W
R6011			NRSA6AJ-104W	MG RESISTOR 100kΩ,1/16W	R6210			NRVA6AD-683W	CMF RESISTOR 68kΩ,1/16W
R6012			NRVA6AD-823W	CMF RESISTOR 82kΩ,1/16W	R6211			NRVA6AD-333W	CMF RESISTOR 33kΩ,1/16W
R6013			NRVA6AD-473W	CMF RESISTOR 47kΩ,1/16W	R6212			NRVA6AD-333W	CMF RESISTOR 33kΩ,1/16W
△ R6017			NRSA63J-102X	MG RESISTOR 1kΩ,1/16W	R6213			NRVA6AD-333W	CMF RESISTOR 33kΩ,1/16W
R6018			NRSA63J-471X	MG RESISTOR 470Ω,1/16W	R6214			NRSA6AJ-102W	MG RESISTOR 1kΩ,1/16W
R6019			NRSA63J-0R0X	MG RESISTOR 0Ω,1/16W	R6215			NRSA6AJ-222W	MG RESISTOR 2.2kΩ,1/16W
R6101			NRVA6AD-183W	CMF RESISTOR 18kΩ,1/16W	R6216			NRVA6AD-104W	CMF RESISTOR 100kΩ,1/16W
R6102			NRVA6AD-183W	CMF RESISTOR 18kΩ,1/16W	R6217			NRVA6AD-823W	CMF RESISTOR 82kΩ,1/16W
R6103			NRVA6AD-273W	CMF RESISTOR 27kΩ,1/16W	R6301			NRSA63J-0R0X	MG RESISTOR 0Ω,1/16W
R6104			NRVA6AD-302W	CMF RESISTOR 3kΩ,1/16W	R6601			NRSA6AJ-822W	MG RESISTOR,C,D,E,F 8.2kΩ,1/16W
R6105			NRVA6AD-473W	CMF RESISTOR 47kΩ,1/16W	R6603			NRVA6AD-683W	CMF RESISTOR,C,D,E,F 68kΩ,1/16W
R6106			NRVA6AD-242W	CMF RESISTOR 2.4kΩ,1/16W	R6604			NRVA6AD-104W	CMF RESISTOR,C,D,E,F 100kΩ,1/16W
R6107			NRVA6AD-432W	CMF RESISTOR 4.3kΩ,1/16W	R6605			NRSA6AJ-184W	MG RESISTOR,C,D,E,F 180kΩ,1/16W
R6109			NRVA6AD-822W	CMF RESISTOR 8.2kΩ,1/16W	R6606			NRSA6AJ-823W	MG RESISTOR,C,D,E,F 82kΩ,1/16W
R6110			NRVA6AD-473W	CMF RESISTOR 47kΩ,1/16W	R6611			NRSA6AJ-335W	MG RESISTOR,C,D,E,F 3.3MΩ,1/16W
R6111			NRVA6AD-243W	CMF RESISTOR 24kΩ,1/16W	R6612			NRSA6AJ-474W	MG RESISTOR,C,D,E,F 470kΩ,1/16W
R6112			NRVA6AD-182W	CMF RESISTOR 1.8kΩ,1/16W	R6613			NRSA6AJ-473W	MG RESISTOR,C,D,E,F 47kΩ,1/16W
R6114			NRVA6AD-243W	CMF RESISTOR 24kΩ,1/16W	R6614			NRSA6AJ-473W	MG RESISTOR,C,D,E,F 47kΩ,1/16W
R6115			NRVA6AD-302W	CMF RESISTOR 3kΩ,1/16W	R6615			NRSA6AJ-684W	MG RESISTOR,C,D,E,F 680kΩ,1/16W
R6117			NRVA6AD-512W	CMF RESISTOR 5.1kΩ,1/16W	R6616			NRSA6AJ-333W	MG RESISTOR,C,D,E,F 33kΩ,1/16W
R6118			NRVA6AD-472W	CMF RESISTOR 4.7kΩ,1/16W	R8001			NRSA6AJ-103W	MG RESISTOR,C,D,E,F 10kΩ,1/16W
R6120			NRVA6AD-153W	CMF RESISTOR 15kΩ,1/16W	R8002			NRSA6AJ-101W	MG RESISTOR,C,D,E,F 100Ω,1/16W
R6122			NRVA6AD-623W	CMF RESISTOR 62kΩ,1/16W	R8003			NRSA6AJ-473W	MG RESISTOR,C,D,E,F 47kΩ,1/16W
R6123			NRVA63D-682X	CMF RESISTOR 6.8kΩ,1/16W	R8004			NRSA6AJ-103W	MG RESISTOR,C,D,E,F 10kΩ,1/16W
R6124			NRVA6AD-223W	CMF RESISTOR 22kΩ,1/16W	R8011			NRSA6AJ-473W	MG RESISTOR,C,D,E,F 47kΩ,1/16W
R6125			NRVA6AD-473W	CMF RESISTOR 47kΩ,1/16W	R8012			NRSA6AJ-0R0W	MG RESISTOR,C,D,E,F 0Ω,1/16W
R6126			NRVA63D-682X	CMF RESISTOR 6.8kΩ,1/16W	R8015			NRSA6AJ-0R0W	MG RESISTOR,C,D,E,F 0Ω,1/16W
R6127			NRVA6AD-223W	CMF RESISTOR 22kΩ,1/16W	R8016			NRVA6AD-133W	CMF RESISTOR,C,D,E,F 13kΩ,1/16W
R6128			NRVA6AD-123W	CMF RESISTOR 12kΩ,1/16W	R8017			NRSA6AJ-0R0W	MG RESISTOR,C,D,E,F 0Ω,1/16W
R6129			NRVA6AD-473W	CMF RESISTOR 47kΩ,1/16W	R8018			NRSA6AJ-473W	MG RESISTOR,C,D,E,F 47kΩ,1/16W
R6131			NRVA6AD-272W	CMF RESISTOR 2.7kΩ,1/16W	R8021			NRSA6AJ-103W	MG RESISTOR,C,D,E,F 10kΩ,1/16W
R6132			NRVA6AD-302W	CMF RESISTOR 3kΩ,1/16W	R8022			NRSA6AJ-101W	MG RESISTOR,C,D,E,F 100Ω,1/16W
R6134			NRVA6AD-562W	CMF RESISTOR 5.6kΩ,1/16W	R8023			NRSA6AJ-101W	MG RESISTOR,C,D,E,F 100Ω,1/16W
R6135			NRVA6AD-102W	CMF RESISTOR 1kΩ,1/16W	R8049			NRSA6AJ-105W	MG RESISTOR,C,D,E,F 1MΩ,1/16W

#	△ REF No.	PART No.	PART NAME, DESCRIPTION		#	△ REF No.	PART No.	PART NAME, DESCRIPTION	
R8050		NRSA6AJ-0R0W	MG RESISTOR,C,D,E,F	0Ω,1/16W	C1009		NCBA1AK-104W	CAPACITOR	0.1μF,10V
R8051		NRSA6AJ-0R0W	MG RESISTOR,C,D,E,F	0Ω,1/16W	C1010		NCBA1AK-104W	CAPACITOR	0.1μF,10V
R8064		NRSA6AJ-0R0W	MG RESISTOR,C,D,E,F	0Ω,1/16W	C1011		NCBA1AK-104W	CAPACITOR	0.1μF,10V
R8065		NRSA6AJ-101W	MG RESISTOR,C,D,E,F	100Ω,1/16W	C1012		NCBA1AK-104W	CAPACITOR	0.1μF,10V
R8069		NRSA6AJ-0R0W	MG RESISTOR,C,D,E,F	0Ω,1/16W	C1013		NDCA1HJ-130W	CAPACITOR	13pF,50V
R8076		NRSA6AJ-103W	MG RESISTOR,C,D,E,F	10kΩ,1/16W	C1015		NCBA1CK-103W	CAPACITOR	0.01μF,16V
R8077		NRSA6AJ-101W	MG RESISTOR,C,D,E,F	100Ω,1/16W	C1017		NCBA1AK-104W	CAPACITOR	0.1μF,10V
R8101		NRSA6AJ-473W	MG RESISTOR,C,D,E,F	47kΩ,1/16W	C1019		NCBA1AK-104W	CAPACITOR	0.1μF,10V
R8102		NRSA6AJ-0R0W	MG RESISTOR,C,D,E,F	0Ω,1/16W	C1020		NCBA1AK-104W	CAPACITOR	0.1μF,10V
R8104		NRSA6AJ-473W	MG RESISTOR,C,D,E,F	47kΩ,1/16W	C1022		NBM90JM-226X	T CAPACITOR	22μF,6.3V
R8105		NRSA6AJ-473W	MG RESISTOR,C,D,E,F	47kΩ,1/16W	C1023		NBM90JM-226X	T CAPACITOR	22μF,6.3V
R8106		NRSA6AJ-221W	MG RESISTOR,C,D,E,F	220Ω,1/16W	C1101		NCBA1AK-104W	CAPACITOR	0.1μF,10V
R8107		NRSA6AJ-221W	MG RESISTOR,C,D,E,F	220Ω,1/16W	C1102		NCBA1CK-223W	CAPACITOR	0.022μF,16V
R8108		NRSA6AJ-473W	MG RESISTOR,C,D,E,F	47kΩ,1/16W	C1103		NCBA1CK-223W	CAPACITOR	0.022μF,16V
R8109		NRSA6AJ-0R0W	MG RESISTOR,C,D,E,F	0Ω,1/16W	C1111		NCB30JK-105X	CAPACITOR	1μF,6.3V
R8110		NRSA6AJ-473W	MG RESISTOR,C,D,E,F	47kΩ,1/16W	C1112		NBE90JM-106X	T CAPACITOR	10μF,6.3V
R8111		NRSA6AJ-0R0W	MG RESISTOR,C,D,E,F	0Ω,1/16W	C1113		NBE90JM-106X	T CAPACITOR	10μF,6.3V
R8112		NRSA6AJ-0R0W	MG RESISTOR,C,D,E,F	0Ω,1/16W	C1401		NBE90JM-106X	T CAPACITOR	10μF,6.3V
R8113		NRSA6AJ-0R0W	MG RESISTOR,C,D,E,F	0Ω,1/16W	C1402		NBE90JM-106X	T CAPACITOR	10μF,6.3V
R8115		NRSA6AJ-221W	MG RESISTOR,C,D,E,F	220Ω,1/16W	C1403		NCBA1CK-103W	CAPACITOR	0.01μF,16V
R8116		NRSA6AJ-473W	MG RESISTOR,C,D,E,F	47kΩ,1/16W	C1405		NCFA1AZ-104W	CAPACITOR	0.1μF,10V
R8117		NRSA6AJ-473W	MG RESISTOR,C,D,E,F	47kΩ,1/16W	C1406		NCFA1AZ-104W	CAPACITOR	0.1μF,10V
R8118		NRSA6AJ-221W	MG RESISTOR,C,D,E,F	220Ω,1/16W	C1408		NCFA1AZ-104W	CAPACITOR	0.1μF,10V
R8119		NRSA6AJ-473W	MG RESISTOR,C,D,E,F	47kΩ,1/16W	C1409		NCFA1AZ-104W	CAPACITOR	0.1μF,10V
R8120		NRSA6AJ-221W	MG RESISTOR,C,D,E,F	220Ω,1/16W	C1410		NCFA1AZ-104W	CAPACITOR	0.1μF,10V
R8121		NRSA6AJ-0R0W	MG RESISTOR,C,D,E,F	0Ω,1/16W	C1411		NCFA1AZ-104W	CAPACITOR	0.1μF,10V
R8122		NRSA6AJ-105W	MG RESISTOR,C,D,E,F	1MΩ,1/16W	C1412		NCFA1AZ-104W	CAPACITOR	0.1μF,10V
R8124		NRSA6AJ-472W	MG RESISTOR,C,D,E,F	4.7kΩ,1/16W	C1413		NCFA1AZ-104W	CAPACITOR	0.1μF,10V
R8128		NRSA6AJ-472W	MG RESISTOR,C,D,E,F	4.7kΩ,1/16W	C1414		NCBA1CK-103W	CAPACITOR	0.01μF,16V
R8129		NRSA6AJ-105W	MG RESISTOR,C,D,E,F	1MΩ,1/16W	C1415		NCBA1CK-103W	CAPACITOR	0.01μF,16V
R8130		NRSA6AJ-101W	MG RESISTOR,C,D,E,F	100Ω,1/16W	C1416		NCBA1CK-103W	CAPACITOR	0.01μF,16V
R8131		NRSA6AJ-0R0W	MG RESISTOR,C,D,E,F	0Ω,1/16W	C1420		NCBA1CK-103W	CAPACITOR	0.01μF,16V
R8132		NRSA6AJ-680W	MG RESISTOR,C,D,E,F	68Ω,1/16W	C1421		NCBA1CK-103W	CAPACITOR	0.01μF,16V
R8133		NRSA6AJ-0R0W	MG RESISTOR,C,D,E,F	0Ω,1/16W	C1422		NCBA1CK-103W	CAPACITOR	0.01μF,16V
R8134		NRSA6AJ-0R0W	MG RESISTOR,C,D,E,F	0Ω,1/16W	C1423		NCBA1CK-103W	CAPACITOR	0.01μF,16V
R8135		NRSA6AJ-0R0W	MG RESISTOR,C,D,E,F	0Ω,1/16W	C1424		NCBA1CK-103W	CAPACITOR	0.01μF,16V
RA1001		NRZ0034-102W	NETWORK RESISTOR	1kΩ	C1425		NCBA1CK-103W	CAPACITOR	0.01μF,16V
RA1002		NRZ0034-102W	NETWORK RESISTOR	1kΩ	C1426		NCBA1CK-103W	CAPACITOR	0.01μF,16V
RA1003		NRZ0034-104W	NETWORK RESISTOR	100kΩ	C1427		NCBA1CK-223W	CAPACITOR	0.022μF,16V
RA1004		NRZ0034-104W	NETWORK RESISTOR	100kΩ	C1428		NCBA1CK-223W	CAPACITOR	0.022μF,16V
RA1005		NRZ0034-102W	NETWORK RESISTOR	1kΩ	C1429		NCBA1CK-223W	CAPACITOR	0.022μF,16V
RA1401		NRZ0034-473W	NETWORK RESISTOR	47kΩ	C1430		NCBA1CK-223W	CAPACITOR	0.022μF,16V
RA1402		NRZ0034-102W	NETWORK RESISTOR	1kΩ	C1431		NCB30JK-105X	CAPACITOR	1μF,6.3V
RA1403		NRZ0034-102W	NETWORK RESISTOR	1kΩ	C1440		NCBA1CK-103W	CAPACITOR	0.01μF,16V
RA1404		NRZ0034-102W	NETWORK RESISTOR	1kΩ	C1441		NCBA1CK-103W	CAPACITOR	0.01μF,16V
RA1405		NRZ0034-102W	NETWORK RESISTOR	1kΩ	C2704		NCB31CK-473X	CAPACITOR	0.047μF,16V
RA4301		NRZ0034-221W	NETWORK RESISTOR,C,D,E,F	220Ω	C2705		NCBA1AK-104W	CAPACITOR	0.1μF,10V
RA4302		NRZ0034-221W	NETWORK RESISTOR,C,D,E,F	220Ω	C2751		NBE20JM-106X	T CAPACITOR	10μF,6.3V
RA4303		NRZ0034-221W	NETWORK RESISTOR,C,D,E,F	220Ω	C2752		PECA1172	E CAPACITOR	47μF,6.3V
RA4304		NRZ0034-221W	NETWORK RESISTOR,C,D,E,F	220Ω	C2753		NCB30JK-105X	CAPACITOR	1μF,6.3V
RA4307		NRZ0034-221W	NETWORK RESISTOR	220Ω	C2754		NCB30JK-105X	CAPACITOR	1μF,6.3V
RA4308		NRZ0034-221W	NETWORK RESISTOR	220Ω	C2756		NCB31HK-102X	CAPACITOR	0.001μF,50V
RA8001		NRZ0034-100W	NETWORK RESISTOR,C,D,E,F	10Ω	C2757		NCB31HK-822X	CAPACITOR	0.0082μF,50V
RA8002		NRZ0034-100W	NETWORK RESISTOR,C,D,E,F	10Ω	C2758		NBE81AM-106X	T CAPACITOR	10μF,10V
RA8003		NRZ0034-100W	NETWORK RESISTOR,C,D,E,F	10Ω	C2762		NCF31AZ-105X	CAPACITOR	1μF,10V
RA8004		NRZ0034-100W	NETWORK RESISTOR,C,D,E,F	10Ω	C2763		NBE40JM-476X	T CAPACITOR	47μF,6.3V
C1003		NCBA1AK-104W	CAPACITOR	0.1μF,10V	C2764		NCBA1AK-104W	CAPACITOR	0.1μF,10V
C1005		NDCA1HJ-330W	CAPACITOR	33pF,50V	C2765		NDCA1HJ-101W	CAPACITOR	100pF,50V
C1006		NDCA1HJ-150W	CAPACITOR	15pF,50V	C3001		NBE90GM-226X	T CAPACITOR	22μF,4.0V
C1007		NCBA1AK-104W	CAPACITOR	0.1μF,10V	C3003		NCB30JK-105X	CAPACITOR	1μF,6.3V
C1008		NCBA1CK-103W	CAPACITOR	0.01μF,16V	C3004		NBE90JM-106X	T CAPACITOR	10μF,6.3V

# ▲ REF No.	PART No.	PART NAME, DESCRIPTION	# ▲ REF No.	PART No.	PART NAME, DESCRIPTION	
C3005	NDCA1HJ-8R0W	CAPACITOR	C3315	NCBA1CK-103W	CAPACITOR	0.01μF,16V
C3006	NDCA1HJ-8R0W	CAPACITOR	C3316	NCB20JK-225X	CAPACITOR	2.2μF,6.3V
C3007	NCFA1AZ-104W	CAPACITOR	C3317	NCBA1AK-104W	CAPACITOR	0.1μF,10V
C3010	NCFA1AZ-104W	CAPACITOR	C3318	NCBA1AK-683W	CAPACITOR	0.068μF,10V
C3011	NCFA1AZ-104W	CAPACITOR	C3319	NCB20JK-225X	CAPACITOR	2.2μF,6.3V
C3012	NCFA1AZ-104W	CAPACITOR	C3320	NCBA1AK-333W	CAPACITOR	0.033μF,10V
C3013	NCFA1AZ-104W	CAPACITOR	C3321	NCBA1CK-103W	CAPACITOR	0.01μF,16V
C3014	NCFA1AZ-104W	CAPACITOR	C3322	NCBA1AK-104W	CAPACITOR	0.1μF,10V
C3015	NCFA1AZ-104W	CAPACITOR	C3324	NCBA1CK-103W	CAPACITOR	0.01μF,16V
C3016	NCFA1AZ-104W	CAPACITOR	C3325	NCBA1CK-103W	CAPACITOR	0.01μF,16V
C3017	NCBA1CK-103W	CAPACITOR	C3326	NCBA1AK-104W	CAPACITOR	0.1μF,10V
C3018	NCBA1AK-104W	CAPACITOR	C3327	NCBA1AK-104W	CAPACITOR	0.1μF,10V
C3019	NCBA1CK-103W	CAPACITOR	C3328	NCBA1AK-104W	CAPACITOR	0.1μF,10V
C3021	NCB21CK-474X	CAPACITOR	C3329	NCBA1CK-103W	CAPACITOR	0.01μF,16V
C3032	NCBA1AK-104W	CAPACITOR	C3330	NDCA1HJ-100W	CAPACITOR	10pF,50V
C3041	NCBA1CK-103W	CAPACITOR	C3331	NCBA1AK-104W	CAPACITOR	0.1μF,10V
C3042	NCFA1AZ-104W	CAPACITOR	C3332	NCBA1CK-103W	CAPACITOR	0.01μF,16V
C3046	NCBA1CK-103W	CAPACITOR	C3501	NCBA1CK-103W	CAPACITOR	0.01μF,16V
C3047	NCBA1AK-104W	CAPACITOR	C3502	NCB30JK-105X	CAPACITOR	1μF,6.3V
C3101	NCBA1AK-104W	CAPACITOR	C3503	NCBA1CK-103W	CAPACITOR	0.01μF,16V
C3104	NDCA1EJ-271W	CAPACITOR	C3504	NCBA1CK-103W	CAPACITOR	0.01μF,16V
C3105	NCB30JK-105X	CAPACITOR	C3505	NCBA1CK-103W	CAPACITOR	0.01μF,16V
C3106	NCB30JK-105X	CAPACITOR	C3506	NCBA1HK-152W	CAPACITOR	0.0015μF,50V
C3107	NCB30JK-105X	CAPACITOR	C3507	NBE90JM-106X	T CAPACITOR	10μF,6.3V
C3108	NCBA1AK-104W	CAPACITOR	C3508	NDCA1HJ-330W	CAPACITOR	33pF,50V
C3109	NCBA1AK-104W	CAPACITOR	C3509	NCBA1CK-103W	CAPACITOR	0.01μF,16V
C3110	NCBA1CK-103W	CAPACITOR	C3510	NCBA1CK-103W	CAPACITOR	0.01μF,16V
C3111	NBE90JM-106X	T CAPACITOR	C3511	NDCA1HJ-220W	CAPACITOR	22pF,50V
C3112	NBE90JM-106X	T CAPACITOR	C3512	NBE90JM-106X	T CAPACITOR	10μF,6.3V
C3201	NBE90JM-106X	T CAPACITOR	C3513	NCBA1CK-103W	CAPACITOR	0.01μF,16V
C3202	NCB30JK-105X	CAPACITOR	C3514	NBE90JM-106X	T CAPACITOR	10μF,6.3V
C3203	NBZ0001-106X	T CAPACITOR	C3515	NDCA1HJ-220W	CAPACITOR	22pF,50V
C3205	NCFA1AZ-104W	CAPACITOR	C3516	NCBA1CK-103W	CAPACITOR	0.01μF,16V
C3206	NCFA1AZ-104W	CAPACITOR	C3517	NCBA1CK-103W	CAPACITOR	0.01μF,16V
C3207	NCFA1AZ-104W	CAPACITOR	C3518	NDCA1HJ-330W	CAPACITOR	33pF,50V
C3208	NCFA1AZ-104W	CAPACITOR	C3519	NBE90JM-106X	T CAPACITOR	10μF,6.3V
C3209	NCBA1AK-104W	CAPACITOR	C3520	NCBA1HK-152W	CAPACITOR	0.0015μF,50V
C3210	NCFA1AZ-104W	CAPACITOR	C3521	NCBA1HK-122W	CAPACITOR	0.0012μF,50V
C3211	NCFA1AZ-104W	CAPACITOR	C3522	NCBA1CK-103W	CAPACITOR	0.01μF,16V
C3212	NCFA1AZ-104W	CAPACITOR	C3523	NCBA1CK-103W	CAPACITOR	0.01μF,16V
C3213	NCBA1CK-103W	CAPACITOR	C3524	NDCA1HJ-470W	CAPACITOR	47pF,50V
C3214	NCBA1AK-104W	CAPACITOR	C3525	NCBA1HK-681W	CAPACITOR	680pF,50V
C3215	NCFA1AZ-104W	CAPACITOR	C3526	NBE90JM-106X	T CAPACITOR	10μF,6.3V
C3216	NCFA1AZ-104W	CAPACITOR	C3527	NBE90JM-106X	T CAPACITOR	10μF,6.3V
C3217	NCFA1AZ-104W	CAPACITOR	C3528	NBE90JM-106X	T CAPACITOR	10μF,6.3V
C3218	NCBA1AK-104W	CAPACITOR	C3529	NCBA1AK-104W	CAPACITOR	0.1μF,10V
C3221	NCBA1CK-103W	CAPACITOR	C3551	NBE40JM-476X	T CAPACITOR	47μF,6.3V
C3222	NCFA1AZ-104W	CAPACITOR	C3552	NCBA1CK-103W	CAPACITOR	0.01μF,16V
C3301	NCB30JK-105X	CAPACITOR	C3702	NCBA1CK-103W	CAPACITOR	0.01μF,16V
C3302	NBE90JM-106X	T CAPACITOR	C3703	NCBA1CK-103W	CAPACITOR	0.01μF,16V
C3303	NBE90JM-106X	T CAPACITOR	C3704	NBE90JM-106X	T CAPACITOR	10μF,6.3V
C3304	NCB30JK-105X	CAPACITOR	C3705	NBE40GM-107X	T CAPACITOR	100μF,4.0V
C3305	NCBA1CK-103W	CAPACITOR	C3706	NBE90GM-226X	T CAPACITOR	22μF,4.0V
C3306	NCBA1CK-103W	CAPACITOR	C3707	NBZ0002-227X	T CAPACITOR	220μF
C3308	NCBA1CK-103W	CAPACITOR	C3708	NBZ0002-227X	T CAPACITOR	220μF
C3309	NCBA1HK-102W	CAPACITOR	C3709	NCBA1CK-103W	CAPACITOR	0.01μF,16V
C3310	NDCA1HJ-151W	CAPACITOR	C3710	NCBA1AK-104W	CAPACITOR	0.1μF,10V
C3311	NCBA1CK-103W	CAPACITOR	C3711	NCBA1AK-104W	CAPACITOR	0.1μF,10V
C3312	NCBA1CK-103W	CAPACITOR	C3712	NCBA1CK-103W	CAPACITOR,E,F	0.01μF,16V
C3313	NCBA1AK-104W	CAPACITOR		NRSA6AJ-0R0W	MG RESISTOR,A,B,C,D	0Ω, 1/16W
C3314	NCBA1CK-103W	CAPACITOR	C3713	NCBA1CK-103W	CAPACITOR	0.01μF,16V

#	△ REF No.	PART No.	PART NAME, DESCRIPTION		#	△ REF No.	PART No.	PART NAME, DESCRIPTION	
C3714		NCBA1CK-103W	CAPACITOR	0.01μF,16V	C4210		NCBA1AK-104W	CAPACITOR	0.1μF,10V
C3715		NBE90JM-106X	T CAPACITOR	10μF,6.3V	C4211		NCF31EZ-104X	CAPACITOR	0.1μF,25V
C3717		NCBA1CK-103W	CAPACITOR,E,F	0.01μF,16V	C4212		NBP41DM-106X	T CAPACITOR	10μF,20V
C3721		NBE20JM-226X	T CAPACITOR	22μF,6.3V	C4215		NCBA1AK-104W	CAPACITOR	0.1μF,10V
C3722		NCB30JK-105X	CAPACITOR	1μF,6.3V	C4216		NCBA1AK-104W	CAPACITOR	0.1μF,10V
C3723		NBE90JM-106X	T CAPACITOR	10μF,6.3V	C4217		NCBA1CK-123W	CAPACITOR	0.012μF,16V
C3724		NCBA1CK-103W	CAPACITOR	0.01μF,16V	C4218		NCBA1AK-104W	CAPACITOR	0.1μF,10V
C3731		NDCA1HJ-120W	CAPACITOR	12pF,50V	C4219		NCB30JK-474X	CAPACITOR	0.47μF,6.3V
C3732		NDCA1HJ-150W	CAPACITOR	15pF,50V	C4220		NCB30JK-105X	CAPACITOR	1μF,6.3V
C3733		NDCA1HJ-470W	CAPACITOR	47pF,50V	C4221		NCB30JK-105X	CAPACITOR	1μF,6.3V
C3734		NDCA1HJ-390W	CAPACITOR	39pF,50V	C4222		NCB30JK-105X	CAPACITOR	1μF,6.3V
C3735		NCBA1CK-103W	CAPACITOR	0.01μF,16V	C4223		NCBA1AK-104W	CAPACITOR	0.1μF,10V
C3736		NCB31CK-104X	CAPACITOR	0.1μF,16V	C4224		NCB30JK-105X	CAPACITOR	1μF,6.3V
C3801		NBE90JM-106X	T CAPACITOR,E,F	10μF,6.3V	C4225		NCB30JK-105X	CAPACITOR	1μF,6.3V
C3802		NCBA1AK-104W	CAPACITOR,E,F	0.1μF,10V	C4226		NCBA1AK-104W	CAPACITOR	0.1μF,10V
C3803		NBE90JM-106X	T CAPACITOR,E,F	10μF,6.3V	C4227		NCBA1AK-104W	CAPACITOR	0.1μF,10V
C3804		NCBA1AK-104W	CAPACITOR,E,F	0.1μF,10V	C4228		NCBA1CK-103W	CAPACITOR	0.01μF,16V
C3805		NCBA1CK-103W	CAPACITOR,E,F	0.01μF,16V	C4229		NCBA1CK-103W	CAPACITOR	0.01μF,16V
C3806		NCBA1CK-103W	CAPACITOR,E,F	0.01μF,16V	C4230		NCBA1CK-103W	CAPACITOR	0.01μF,16V
C3807		NCBA1CK-103W	CAPACITOR,E,F	0.01μF,16V	C4231		NCBA1CK-103W	CAPACITOR	0.01μF,16V
C3808		NCBA1CK-103W	CAPACITOR,E,F	0.01μF,16V	C4233		NCBA1CK-103W	CAPACITOR	0.01μF,16V
C3809		NCBA1AK-104W	CAPACITOR,E,F	0.1μF,10V	C4301		NCB30JK-105X	CAPACITOR	1μF,6.3V
C3811		NCBA1CK-103W	CAPACITOR,E,F	0.01μF,16V	C4302		NBE90JM-106X	T CAPACITOR	10μF,6.3V
C3812		NBE90JM-106X	T CAPACITOR,E,F	10μF,6.3V	C4303		NCBA1AK-104W	CAPACITOR	0.1μF,10V
C3813		NCBA1CK-103W	CAPACITOR,E,F	0.01μF,16V	C4304		NBE90JM-106X	T CAPACITOR	10μF,6.3V
C3815		NCBA1AK-104W	CAPACITOR,E,F	0.1μF,10V	C4305		NBE90JM-106X	T CAPACITOR,A,B,C,D	10μF,6.3V
C3816		NCBA1AK-104W	CAPACITOR,E,F	0.1μF,10V	C4306		NCB30JK-105X	CAPACITOR	1μF,6.3V
C3817		NCBA1CK-103W	CAPACITOR,E,F	0.01μF,16V	C4307		NBE90JM-106X	T CAPACITOR	10μF,6.3V
C3818		NBE90JM-106X	T CAPACITOR,E,F	10μF,6.3V	C4308		NCBA1AK-104W	CAPACITOR	0.1μF,10V
C3819		NCBA1AK-104W	CAPACITOR,E,F	0.1μF,10V	C4309		NCBA1AK-104W	CAPACITOR	0.1μF,10V
C3820		NCBA1AK-104W	CAPACITOR,E,F	0.1μF,10V	C4310		NBG40GM-226X	T CAPACITOR	22μF,4.0V
C3821		NCBA1AK-104W	CAPACITOR,E,F	0.1μF,10V	C4312		NCBA1AK-104W	CAPACITOR	0.1μF,10V
C3822		NCBA1CK-103W	CAPACITOR,E,F	0.01μF,16V	C4313		NCBA1AK-104W	CAPACITOR	0.1μF,10V
C3823		NDCA1HJ-680W	CAPACITOR,E,F	68pF,50V	C4315		NCBA1AK-104W	CAPACITOR	0.1μF,10V
C3824		NDCA1HJ-680W	CAPACITOR,E,F	68pF,50V	C4316		NCBA1AK-104W	CAPACITOR	0.1μF,10V
C3851		NBE20JM-226X	T CAPACITOR,E,F	22μF,6.3V	C4317		NCBA1AK-104W	CAPACITOR	0.1μF,10V
C3852		NCBA1CK-103W	CAPACITOR,E,F	0.01μF,16V	C4318		NCBA1AK-104W	CAPACITOR	0.1μF,10V
C3853		NCBA1CK-103W	CAPACITOR,E,F	0.01μF,16V	C4319		NCBA1AK-104W	CAPACITOR	0.1μF,10V
C3855		NCBA1CK-103W	CAPACITOR,E,F	0.01μF,16V	C4320		NCBA1AK-104W	CAPACITOR	0.1μF,10V
C3856		NCB30JK-105X	CAPACITOR,E,F	1μF,6.3V	C4321		NCBA1AK-104W	CAPACITOR	0.1μF,10V
C3857		NCB30JK-105X	CAPACITOR,E,F	1μF,6.3V	C4323		NCBA1AK-104W	CAPACITOR,A,B,C,D	0.1μF,10V
C3858		NCBA1CK-103W	CAPACITOR,E,F	0.01μF,16V	C4324		NCBA1HK-331W	CAPACITOR,A,B,C,D	330pF,50V
C3861		NCB20JK-225X	CAPACITOR,E,F	2.2μF,6.3V	C4351		NCBA1AK-104W	CAPACITOR	0.1μF,10V
C3862		NCBA1CK-103W	CAPACITOR,E,F	0.01μF,16V	C4352		NCBA1AK-104W	CAPACITOR	0.1μF,10V
C4101		NCF31EZ-104X	CAPACITOR	0.1μF,25V	C4353		NCB30JK-105X	CAPACITOR	1μF,6.3V
C4102		NBP41EM-475X	T CAPACITOR	4.7μF,25V	C4355		NCB30JK-105X	CAPACITOR	1μF,6.3V
C4103		NCF31EZ-104X	CAPACITOR	0.1μF,25V	C4357		NCB30JK-105X	CAPACITOR	1μF,6.3V
C4104		NCBA1AK-104W	CAPACITOR	0.1μF,10V	C4359		NCB30JK-105X	CAPACITOR	1μF,6.3V
C4105		NBE41AM-476X	T CAPACITOR	47μF,10V	C4361		NCBA1AK-104W	CAPACITOR	0.1μF,10V
C4106		NCBA1AK-104W	CAPACITOR	0.1μF,10V	C4362		NCBA1AK-104W	CAPACITOR	0.1μF,10V
C4107		NCBA1AK-104W	CAPACITOR	0.1μF,10V	C4363		NCBA1AK-104W	CAPACITOR	0.1μF,10V
C4109		NCF31EZ-104X	CAPACITOR	0.1μF,25V	C4364		NCBA1AK-104W	CAPACITOR	0.1μF,10V
C4111		NBP21VM-105X	T CAPACITOR	1μF,35V	C4365		NBE90JM-106X	T CAPACITOR	10μF,6.3V
C4201		NBE40JM-476X	T CAPACITOR	47μF,6.3V	C4401		NBE90GM-226X	T CAPACITOR	22μF,4.0V
C4202		NBE20GM-476X	T CAPACITOR	47μF,4.0V	C4402		NCBA1CK-103W	CAPACITOR	0.01μF,16V
C4203		NCBA1CK-103W	CAPACITOR	0.01μF,16V	C5001		NCBA1AK-104W	CAPACITOR	0.1μF,10V
C4204		NCBA1AK-104W	CAPACITOR	0.1μF,10V	C5002		NCBA1AK-104W	CAPACITOR	0.1μF,10V
C4205		NBE20GM-476X	T CAPACITOR	47μF,4.0V	C5003		NBE40JM-476X	T CAPACITOR	47μF,6.3V
C4207		NBE90JM-106X	T CAPACITOR	10μF,6.3V	C5004		NCBA1AK-104W	CAPACITOR	0.1μF,10V
C4208		NBE41AM-476X	T CAPACITOR	47μF,10V	C5005		NCBA1AK-104W	CAPACITOR	0.1μF,10V
C4209		NBE41AM-476X	T CAPACITOR	47μF,10V	C5006		NCBA1AK-104W	CAPACITOR	0.1μF,10V

# ▲ REF No.	PART No.	PART NAME, DESCRIPTION		# ▲ REF No.	PART No.	PART NAME, DESCRIPTION	
C5007	NCB30JK-105X	CAPACITOR	1μF,6.3V	C6153	NCB21AK-105X	CAPACITOR	1μF,10V
C5008	NBE90JM-106X	T CAPACITOR	10μF,6.3V	C6154	NCB10JK-106X	CAPACITOR	10μF,6.3V
C5009	NCBA1AK-104W	CAPACITOR	0.1μF,10V	C6156	NCB21AK-105X	CAPACITOR	1μF,10V
C5011	NCBA1AK-104W	CAPACITOR	0.1μF,10V	C6157	NCB11AK-475X	CAPACITOR	4.7μF,10V
C5012	NCBA1AK-104W	CAPACITOR	0.1μF,10V	C6158	NCB20JK-225X	CAPACITOR	2.2μF,6.3V
C5013	NCBA1AK-104W	CAPACITOR	0.1μF,10V	C6159	NCB20JK-225X	CAPACITOR	2.2μF,6.3V
C5014	NBE90JM-106X	T CAPACITOR	10μF,6.3V	C6163	NCB21AK-105X	CAPACITOR	1μF,10V
C5017	NCBA1AK-104W	CAPACITOR	0.1μF,10V	C6201	NCB21CK-105X	CAPACITOR	1μF,16V
C5018	NCB30JK-105X	CAPACITOR	1μF,6.3V	C6202	NCB11EK-105X	CAPACITOR	1μF,25V
C5019	NCB30JK-105X	CAPACITOR	1μF,6.3V	C6203	NCBA1CK-103W	CAPACITOR	0.01μF,16V
C5214	NBE41AM-476X	T CAPACITOR	47μF,10V	C6204	NCB21CK-105X	CAPACITOR	1μF,16V
C5215	NBE41AM-476X	T CAPACITOR	47μF,10V	C6205	NCB21CK-105X	CAPACITOR	1μF,16V
C5216	NBE41AM-476X	T CAPACITOR	47μF,10V	C6206	NCB11CK-105X	CAPACITOR	1μF,16V
C5217	NCF31EZ-104X	CAPACITOR	0.1μF,25V	C6207	NCB11EK-105X	CAPACITOR	1μF,25V
C5218	NCBA1AK-104W	CAPACITOR	0.1μF,10V	C6208	NCB21CK-105X	CAPACITOR	1μF,16V
C5219	NCBA1AK-104W	CAPACITOR	0.1μF,10V	C6209	NCB21CK-105X	CAPACITOR	1μF,16V
C5220	NCBA1AK-104W	CAPACITOR	0.1μF,10V	C6210	NCB21CK-105X	CAPACITOR	1μF,16V
C5221	NBE20JM-106X	T CAPACITOR	10μF,6.3V	C6401	NCBA1CK-103W	CAPACITOR	0.01μF,16V
C6001	NCBA1AK-104W	CAPACITOR	0.1μF,10V	C6402	NBE91CM-105X	T CAPACITOR	1μF,16V
C6002	NCBA1CK-103W	CAPACITOR	0.01μF,16V	C6601	NCBA1CK-103W	CAPACITOR,C,D,E,F	0.01μF,16V
C6003	NCBA1AK-104W	CAPACITOR	0.1μF,10V	C6602	NBE90JM-106X	T CAPACITOR,C,D,E,F	10μF,6.3V
C6004	NBE90JM-106X	T CAPACITOR	10μF,6.3V	C6603	NCBA1HK-102W	CAPACITOR,C,D,E,F	0.001μF,50V
C6005	NBP21CM-685X	T CAPACITOR	6.8μF,16V	C6604	NCBA1AK-473W	CAPACITOR,C,D,E,F	0.047μF,10V
C6006	NCF31AZ-105X	CAPACITOR	1μF,10V	C6611	NCBA1CK-153W	CAPACITOR,C,D,E,F	0.015μF,16V
C6007	NBE90JM-106X	T CAPACITOR	10μF,6.3V	C6612	NDCA1EJ-221W	CAPACITOR,C,D,E,F	220pF,25V
C6008	NCBA1AK-104W	CAPACITOR	0.1μF,10V	C6613	NDCA1EJ-121W	CAPACITOR,C,D,E,F	120pF,25V
C6009	NCBA1CK-103W	CAPACITOR	0.01μF,16V	C8001	NBE90JM-106X	T CAPACITOR,C,D,E,F	10μF,6.3V
C6101	NCB31AK-474X	CAPACITOR	0.47μF,10V	C8002	NCBA1CK-103W	CAPACITOR,C,D,E,F	0.01μF,16V
C6102	NCB31AK-224X	CAPACITOR	0.22μF,10V	C8003	NCBA1CK-103W	CAPACITOR,C,D,E,F	0.01μF,16V
C6103	NCB31CK-104X	CAPACITOR	0.1μF,16V	C8004	NCBA1CK-103W	CAPACITOR,C,D,E,F	0.01μF,16V
C6104	NCBA1AK-104W	CAPACITOR	0.1μF,10V	C8006	NCBA1AK-104W	CAPACITOR,C,D,E,F	0.1μF,10V
C6106	NCBA1AK-104W	CAPACITOR	0.1μF,10V	C8007	NBE90JM-106X	T CAPACITOR,C,D,E,F	10μF,6.3V
C6108	NCBA1AK-104W	CAPACITOR	0.1μF,10V	C8008	NCB30JK-105X	CAPACITOR,C,D,E,F	1μF,6.3V
C6110	NCBA1AK-104W	CAPACITOR	0.1μF,10V	C8009	NCBA1AK-104W	CAPACITOR,C,D,E,F	0.1μF,10V
C6112	NCB31AK-224X	CAPACITOR	0.22μF,10V	C8010	NBE90JM-106X	T CAPACITOR,C,D,E,F	10μF,6.3V
C6114	NDCA1HJ-100W	CAPACITOR	10pF,50V	C8011	NCB30JK-105X	CAPACITOR,C,D,E,F	1μF,6.3V
C6115	NDCA1HJ-121W	CAPACITOR	120pF,50V	C8017	NCBA1AK-104W	CAPACITOR,C,D,E,F	0.1μF,10V
C6116	NCBA1AK-104W	CAPACITOR	0.1μF,10V	C8020	NBE90JM-106X	T CAPACITOR,C,D,E,F	10μF,6.3V
C6117	NCBA1AK-104W	CAPACITOR	0.1μF,10V	C8021	NCBA1CK-103W	CAPACITOR,C,D,E,F	0.01μF,16V
C6118	NBP41CM-106X	T CAPACITOR	10μF,16V	C8022	NCBA1CK-103W	CAPACITOR,C,D,E,F	0.01μF,16V
C6119	NCB31EK-103X	CAPACITOR	0.01μF,25V	C8023	NCBA1CK-103W	CAPACITOR,C,D,E,F	0.01μF,16V
C6120	NCBA1AK-104W	CAPACITOR	0.1μF,10V	C8024	NCBA1CK-103W	CAPACITOR,C,D,E,F	0.01μF,16V
C6122	NCBA1AK-104W	CAPACITOR	0.1μF,10V	C8025	NCBA1CK-103W	CAPACITOR,C,D,E,F	0.01μF,16V
C6124	NCBA1AK-104W	CAPACITOR	0.1μF,10V	C8026	NCBA1CK-103W	CAPACITOR,C,D,E,F	0.01μF,16V
C6126	NCBA1AK-104W	CAPACITOR	0.1μF,10V	C8027	NCBA1CK-103W	CAPACITOR,C,D,E,F	0.01μF,16V
C6128	NCB21AK-105X	CAPACITOR	1μF,10V	C8028	NCBA1CK-103W	CAPACITOR,C,D,E,F	0.01μF,16V
C6129	NCB21AK-105X	CAPACITOR	1μF,10V	C8029	NCBA1CK-103W	CAPACITOR,C,D,E,F	0.01μF,16V
C6130	NCB21AK-105X	CAPACITOR	1μF,10V	C8030	NCBA1CK-103W	CAPACITOR,C,D,E,F	0.01μF,16V
C6131	NCB21AK-105X	CAPACITOR	1μF,10V	C8031	NCBA1CK-103W	CAPACITOR,C,D,E,F	0.01μF,16V
C6132	NBG41AM-106X	T CAPACITOR	10μF,10V	C8032	NCBA1CK-103W	CAPACITOR,C,D,E,F	0.01μF,16V
C6133	NCB21AK-105X	CAPACITOR	1μF,10V	C8033	NCBA1CK-103W	CAPACITOR,C,D,E,F	0.01μF,16V
C6134	NCB11AK-225X-A	CAPACITOR	2.2μF,10V	C8034	NCBA1CK-103W	CAPACITOR,C,D,E,F	0.01μF,16V
C6135	NCB21AK-105X	CAPACITOR	1μF,10V	C8035	NCBA1CK-103W	CAPACITOR,C,D,E,F	0.01μF,16V
C6136	NCB11AK-475X	CAPACITOR	4.7μF,10V	C8036	NCBA1CK-103W	CAPACITOR,C,D,E,F	0.01μF,16V
C6138	NCB21AK-105X	CAPACITOR	1μF,10V	C8037	NCBA1CK-103W	CAPACITOR,C,D,E,F	0.01μF,16V
C6145	NCB21AK-105X	CAPACITOR	1μF,10V	C8038	NCBA1CK-103W	CAPACITOR,C,D,E,F	0.01μF,16V
C6146	NBG41AM-106X	T CAPACITOR	10μF,10V	C8039	NCBA1CK-103W	CAPACITOR,C,D,E,F	0.01μF,16V
C6147	NBG41AM-106X	T CAPACITOR	10μF,10V	C8040	NCBA1CK-103W	CAPACITOR,C,D,E,F	0.01μF,16V
C6148	NCB11AK-475X	CAPACITOR	4.7μF,10V	C8041	NCBA1CK-103W	CAPACITOR,C,D,E,F	0.01μF,16V
C6150	NCB21AK-105X	CAPACITOR	1μF,10V	C8042	NCBA1CK-103W	CAPACITOR,C,D,E,F	0.01μF,16V
C6151	NCB10JK-106X	CAPACITOR	10μF,6.3V	C8043	NCBA1CK-103W	CAPACITOR,C,D,E,F	0.01μF,16V

#	△ REF No.	PART No.	PART NAME, DESCRIPTION		#	△ REF No.	PART No.	PART NAME, DESCRIPTION	
C8044		NBE20GM-476X	T CAPACITOR,C,D,E,F	47μF,4.0V	L3731		NQL085J-120X	COIL	12μH
C8045		NBE20JM-226X	T CAPACITOR,C,D,E,F	22μF,6.3V	L3732		NQL085J-270X	COIL	27μH
C8046		NBE90JM-106X	T CAPACITOR,C,D,E,F	10μF,6.3V	L3801		NQR0305-001X	FERRITE BEAD,E,F	
C8048		NBE20GM-476X	T CAPACITOR,C,D,E,F	47μF,4.0V	L3802		NQR0006-001X	FERRITE BEAD,E,F	
C8049		NCBA1CK-103W	CAPACITOR,C,D,E,F	0.01μF,16V	L3851		NQL302N-100X	COIL,E,F	10μH
C8050		NCBA1CK-103W	CAPACITOR,C,D,E,F	0.01μF,16V	L4101		NQR0129-002X	FERRITE BEAD	
C8051		NBE20GM-476X	T CAPACITOR,C,D,E,F	47μF,4.0V	L4102		NQL045K-100X	COIL	10μH
C8052		NCBA1CK-103W	CAPACITOR,C,D,E,F	0.01μF,16V	L4103		NQR0129-002X	FERRITE BEAD	
C8054		NCB31HK-392X	CAPACITOR,C,D,E,F	0.0039μF,50V	L4104		NQL045K-100X	COIL	10μH
C8056		NCBA1CK-103W	CAPACITOR,C,D,E,F	0.01μF,16V	L4201		NQR0265-001X	FERRITE BEAD	
C8057		NCBA1CK-103W	CAPACITOR,C,D,E,F	0.01μF,16V	L4202		NQL402M-100X	COIL	10μH
C8058		NCBA1AK-104W	CAPACITOR,C,D,E,F	0.1μF,10V	L4203		NQR0265-001X	FERRITE BEAD	
C8059		NCBA1CK-103W	CAPACITOR,C,D,E,F	0.01μF,16V	L4204		NQL402M-100X	COIL	10μH
C8060		NCBA1CK-103W	CAPACITOR,C,D,E,F	0.01μF,16V	L4205		NQL402M-100X	COIL	10μH
C8101		NBE90JM-106X	T CAPACITOR,C,D,E,F	10μF,6.3V	L4301		NQR0265-001X	FERRITE BEAD	
C8102		NBE90JM-106X	T CAPACITOR,C,D,E,F	10μF,6.3V	L4302		NQR0265-001X	FERRITE BEAD	
C8103		NCBA1CK-103W	CAPACITOR,C,D,E,F	0.01μF,16V	L4303		NQR0265-001X	FERRITE BEAD	
C8104		NCBA1CK-103W	CAPACITOR,C,D,E,F	0.01μF,16V	L4304		NQL045K-100X	COIL,A,B,C,D	10μH
C8105		NCBA1CK-103W	CAPACITOR,C,D,E,F	0.01μF,16V	L4305		NQR0265-001X	FERRITE BEAD	
C8106		NCBA1CK-103W	CAPACITOR,C,D,E,F	0.01μF,16V	L4306		NQR0129-002X	FERRITE BEAD	
C8107		NCBA1CK-103W	CAPACITOR,C,D,E,F	0.01μF,16V	L4351		NQL402M-100X	COIL	10μH
C8108		NCBA1CK-103W	CAPACITOR,C,D,E,F	0.01μF,16V	L4401		NQR0006-001X	FERRITE BEAD	
C8109		NCBA1CK-103W	CAPACITOR,C,D,E,F	0.01μF,16V	L5001		NQR0129-002X	FERRITE BEAD	
C8110		NCBA1CK-103W	CAPACITOR,C,D,E,F	0.01μF,16V	L5002		NQL045K-100X	COIL	10μH
C8111		NCBA1CK-103W	CAPACITOR,C,D,E,F	0.01μF,16V	L5003		NQR0129-002X	FERRITE BEAD	
C8112		NCBA1CK-103W	CAPACITOR,C,D,E,F	0.01μF,16V	L5004		NQR0129-002X	FERRITE BEAD	
C8113		NCBA1CK-103W	CAPACITOR,C,D,E,F	0.01μF,16V	L5005		NQR0129-002X	FERRITE BEAD	
C8114		NCBA1CK-103W	CAPACITOR,C,D,E,F	0.01μF,16V	L5201		NQR0129-002X	FERRITE BEAD	
C8115		NCBA1CK-103W	CAPACITOR,C,D,E,F	0.01μF,16V	L5202		NQR0129-002X	FERRITE BEAD	
C8116		NCBA1CK-103W	CAPACITOR,C,D,E,F	0.01μF,16V	L5203		NQL045K-100X	COIL	10μH
C8117		NDCA1HJ-5R0W	CAPACITOR,C,D,E,F	5pF,50V	L5204		NQL045K-100X	COIL	10μH
C8118		NDCA1HJ-5R0W	CAPACITOR,C,D,E,F	5pF,50V	L5205		NQL045K-100X	COIL	10μH
C8119		NCBA1CK-103W	CAPACITOR,C,D,E,F	0.01μF,16V	L5206		NQR0129-002X	FERRITE BEAD	
L1001		NQR0265-001X	FERRITE BEAD		L6001		NQL402M-100X	COIL	10μH
L1002		NQR0265-001X	FERRITE BEAD		L6101		NQLZ011-4R7X	COIL	4.7μH
L1003		NQL085J-390X	COIL	39μH	L6102		NQLZ011-4R7X	COIL	4.7μH
L1101		NQL402M-100X	COIL	10μH	L6103		NQLZ011-4R7X	COIL	4.7μH
L1401		NQL302N-100X	COIL	10μH	L6104		NQL32CM-220X	COIL	22μH
L1402		NRSA02J-0R0X	MG RESISTOR	0Ω,1/10W	L6105		NQL32CM-220X	COIL	22μH
L2701		NRSA63J-0R0X	MG RESISTOR	0Ω,1/16W	L6106		NQL32CM-100X	COIL	10μH
L2702		NRSA63J-0R0X	MG RESISTOR	0Ω,1/16W	L6110		NQLZ011-390X	COIL	39μH
L3001		NQR0305-001X	FERRITE BEAD		L6112		NQL32CM-220X	COIL	22μH
L3002		NQR0006-001X	FERRITE BEAD		L6114		NQL32CM-220X	COIL	22μH
L3003		NQR0305-001X	FERRITE BEAD		L6116		NQL32CM-100X	COIL	10μH
L3005		NQR0305-001X	FERRITE BEAD		L6117		NQL35BK-100X	COIL	10μH
L3101		NQR0305-001X	FERRITE BEAD		L6118		NQL35BK-100X	COIL	10μH
L3102		NQR0006-001X	FERRITE BEAD		L6201		NQLZ011-221X	COIL	220μH
L3103		NQR0384-003X	COIL		L6601		NQL402M-100X	COIL,C,D,E,F	10μH
L3104		NQR0384-003X	COIL		L8001		NQR0129-002X	FERRITE BEAD,C,D,E,F	
L3201		NQR0006-001X	FERRITE BEAD		L8002		NQR0129-002X	FERRITE BEAD,C,D,E,F	
L3202		NQR0305-001X	FERRITE BEAD		L8003		NQR0129-002X	FERRITE BEAD,C,D,E,F	
L3301		NQR0006-001X	FERRITE BEAD		L8005		NQR0129-002X	FERRITE BEAD,C,D,E,F	
L3302		NQL04DK-100X	COIL	10μH	L8006		NQR0129-002X	FERRITE BEAD,C,D,E,F	
L3303		NQL04DK-100X	COIL	10μH	L8007		NQR0129-002X	FERRITE BEAD,C,D,E,F	
L3304		NQR0006-001X	FERRITE BEAD		L8008		NQR0129-002X	FERRITE BEAD,C,D,E,F	
L3501		NQL04DK-220X	COIL	22μH	L8010		NQR0129-002X	FERRITE BEAD,C,D,E,F	
L3502		NQL04DK-220X	COIL	22μH	L8011		NQR0129-002X	FERRITE BEAD,C,D,E,F	
L3503		NQL302N-100X	COIL	10μH	L8101		NQR0006-001X	FERRITE BEAD,C,D,E,F	
L3504		NQL302N-100X	COIL	10μH	L8102		NQR0006-001X	FERRITE BEAD,C,D,E,F	
L3551		NQR0006-001X	FERRITE BEAD		X1001		NAX0279-001X	C OSCILLATOR	
L3701		NQL302N-100X	COIL	10μH	X1002		NAX0267-001X	CRYSTAL RESONATOR	

#	△	REF No.	PART No.	PART NAME, DESCRIPTION		#	△	REF No.	PART No.	PART NAME, DESCRIPTION	
		X3001	NAX0206-001X	CRYSTAL RESONATOR				Q4805	DTA143EE	TRANSISTOR	
		X3301	NAX0296-001X	C OSCILLATOR				Q4851	2SC4617/RS/-X	TRANSISTOR	
		X4301	NAX0332-001X	CXO				D1602	DAP222	DIODE	
		X8002	NAX0354-001X	RESONATOR,C,D,E,F				D1603	DAP222	DIODE	
		X8101	NAX0402-001X	CRYSTAL RESONATOR,C,D,E,F				D1604	DAP222	DIODE	
		S1001	NSW0132-001X	DETECT SWITCH				D1801	TLSU1002/LM/-X	LE DIODE	
		S1401	NSW0128-001X	LEVER SWITCH				R1601	NRSA6AJ-681W	MG RESISTOR	680Ω,1/16W
		TB1	LY31799-001A	BATT.TERMINAL				R1602	NRSA6AJ-124W	MG RESISTOR	120kΩ,1/16W
		WR1	QAL0246-001	FPC				R1603	NRSA6AJ-472W	MG RESISTOR	4.7kΩ,1/16W
		WR2	QAL0239-001	FPC				R1604	NRSA6AJ-104W	MG RESISTOR	100kΩ,1/16W
		WR3	WJR0016-001B	E-SH C WIRE C-F,C,D				R1605	NRV142F-R22X	CMF RESISTOR	0.22Ω,1/4W
			WJR0016-001C	E-SH C WIRE C-F,A,B,E,F				R1606	NRSA6AJ-103W	MG RESISTOR	10kΩ,1/16W
		J101	NNZ0028-001	D CONNECTOR				R1609	NRV142F-R33X	CMF RESISTOR	0.33Ω,1/4W
		CN1001	QGF0513F1-08X	FPC CONNECTOR				R1610	NRSA6AJ-471W	MG RESISTOR	470Ω,1/16W
		CN1002	QGB0401M1-80X	CONNECTOR				R1611	NRSA6AJ-471W	MG RESISTOR	470Ω,1/16W
		CN1003	QGF0513F2-20X	FPC CONNECTOR				R1612	NRSA6AJ-104W	MG RESISTOR	100kΩ,1/16W
		CN1004	QGA1001F1-03X	CONNECTOR				R1613	NRSA6AJ-102W	MG RESISTOR	1kΩ,1/16W
		CN1005	QGF0513F2-06X	FPC CONNECTOR				R1614	NRSA6AJ-682W	MG RESISTOR	6.8kΩ,1/16W
		CN1007	QGF0301F1-45X	FPC CONNECTOR				R1615	NRSA6AJ-103W	MG RESISTOR	10kΩ,1/16W
		CN1008	QGF0507F1-16X	FPC CONNECTOR				R1616	NRSA6AJ-391W	MG RESISTOR	390Ω,1/16W
		CN1009	QGA1001F1-02X	CONNECTOR				R1617	NRSA6AJ-224W	MG RESISTOR	220kΩ,1/16W
		CN1010	QGB0506L1-20X	CONNECTOR				R1618	NRSA6AJ-154W	MG RESISTOR	150kΩ,1/16W
		CN1011	QGF0513F1-12X	FPC CONNECTOR,C,D,E,F				R1619	NRSA6AJ-223W	MG RESISTOR	22kΩ,1/16W
		CN1014	QGF0301F1-33X	FPC CONNECTOR				R1620	NRSA6AJ-103W	MG RESISTOR	10kΩ,1/16W
		CN1016	QGB0401M1-A0X	CONNECTOR				R1621	NRSA6AJ-103W	MG RESISTOR	10kΩ,1/16W
△		F6101	NMFZ007-1R6X-K	FUSE	T1.6A			R1622	NRSA6AJ-103W	MG RESISTOR	10kΩ,1/16W
△		F6102	NMFZ007-R20X-K	FUSE	T0.2A			R1624	NRVA6AD-123W	CMF RESISTOR	12kΩ,1/16W
△		F6103	NMFZ007-1R6X-K	FUSE	T1.6A			R1625	NRSA6AJ-0R0W	MG RESISTOR	0Ω,1/16W
△		F6104	NMFZ007-R50X-K	FUSE	T0.5A			R1626	NRSA6AJ-0R0W	MG RESISTOR	0Ω,1/16W
		FL3851	NQR0344-001X	LOW PASS FILTER,E,F				R1627	NRSA6AJ-0R0W	MG RESISTOR	0Ω,1/16W
		FL3852	NQR0344-001X	LOW PASS FILTER,E,F				R1628	NRVA6AD-361W	CMF RESISTOR	360Ω,1/16W
		OT1	LY30029-065B	SPACER(A)				R1629	NRSA6AJ-684W	MG RESISTOR	680kΩ,1/16W
		OT2	LY30029-066A	SPACER(A)				R1630	NRSA6AJ-0R0W	MG RESISTOR	0Ω,1/16W
		OT3	LY42538-001A	SHEET(MAIN)				R1631	NRSA6AJ-0R0W	MG RESISTOR	0Ω,1/16W
		OT4	LY30029-078A	SPACER(A),X2				R1632	NRSA6AJ-0R0W	MG RESISTOR	0Ω,1/16W
		OT5	LY30029-079A	SPACER(A)				R1633	NRSA6AJ-0R0W	MG RESISTOR	0Ω,1/16W
		OT6	LY30029-082A	SPACER(A)				R1634	NRSA6AJ-0R0W	MG RESISTOR	0Ω,1/16W
		OT7	LY30029-0A7A	SPACER(A),X2,A,B,E,F				R1635	NRSA6AJ-472W	MG RESISTOR	4.7kΩ,1/16W
		SD1	LY31714-001A	SHIELD CASE				R1636	NRSA6AJ-103W	MG RESISTOR	10kΩ,1/16W
								R1637	NRSA6AJ-124W	MG RESISTOR	120kΩ,1/16W
								R1642	NRSA6AJ-0R0W	MG RESISTOR	0Ω,1/16W
								R1644	NRSA6AJ-0R0W	MG RESISTOR	0Ω,1/16W
								R1801	NRSA6AJ-271W	MG RESISTOR	270Ω,1/16W
								R1802	NRSA6AJ-470W	MG RESISTOR	47Ω,1/16W
								R4804	NRVA6AD-331W	CMF RESISTOR	330Ω,1/16W
								R4805	NRSA6AJ-103W	MG RESISTOR	10kΩ,1/16W
								R4806	NRSA6AJ-683W	MG RESISTOR	68kΩ,1/16W
								R4807	NRSA6AJ-563W	MG RESISTOR	56kΩ,1/16W
								R4808	NRSA6AJ-243W	MG RESISTOR	24kΩ,1/16W
								R4809	NRSA6AJ-561W	MG RESISTOR	560Ω,1/16W
								R4810	NRSA6AJ-103W	MG RESISTOR	10kΩ,1/16W
								R4811	NRSA6AJ-684W	MG RESISTOR	680kΩ,1/16W
								R4812	NRSA6AJ-153W	MG RESISTOR	15kΩ,1/16W
								R4814	NRSA6AJ-105W	MG RESISTOR	1MΩ,1/16W
								R4815	NRSA6AJ-472W	MG RESISTOR	4.7kΩ,1/16W
								R4816	NRSA6AJ-185W	MG RESISTOR	1.8MΩ,1/16W
								R4817	NRSA6AJ-334W	MG RESISTOR	330kΩ,1/16W
								R4818	NRSA6AJ-154W	MG RESISTOR	150kΩ,1/16W
								R4819	NRSA6AJ-103W	MG RESISTOR	10kΩ,1/16W
								R4820	NRSA6AJ-104W	MG RESISTOR	100kΩ,1/16W
								R4821	NRSA6AJ-104W	MG RESISTOR	100kΩ,1/16W

MDA BOARD ASSEMBLY <02>

		PW2	YB10285A1-01	MDA BOARD ASSY							
		IC1601	BD6630KV	IC							
		IC1801	NAL0006-001X	IR SENSOR UNIT							
		IC4802	TA75W01FU	IC							
		IC4803	TA75W01FU	IC							
		IC4804	UPC358G2/5/-W	IC							
		IC4806	TC7W00FK	IC							
		IC4807	TC7W66FK	IC							
		IC4851	UPD16879GS	IC							
		Q1601	UMC3N	TRANSISTOR							
		Q1801	DTC143XE	TRANSISTOR							
		Q4801	2SC4655/BC/-X	TRANSISTOR							
		Q4802	2SC4617/RS/-X	TRANSISTOR							
		Q4803	DTC144EE	TRANSISTOR							
		Q4804	DTA144EE	TRANSISTOR							

#	△ REF No.	PART No.	PART NAME, DESCRIPTION	
R4822		NRSA6AJ-333W	MG RESISTOR	33kΩ,1/16W
R4823		NRSA6AJ-102W	MG RESISTOR	1kΩ,1/16W
R4824		NRSA6AJ-472W	MG RESISTOR	4.7kΩ,1/16W
R4825		NRSA6AJ-222W	MG RESISTOR	2.2kΩ,1/16W
R4826		NRSA6AJ-473W	MG RESISTOR	47kΩ,1/16W
R4827		NRSA6AJ-0R0W	MG RESISTOR	0Ω,1/16W
R4828		NRSA6AJ-0R0W	MG RESISTOR	0Ω,1/16W
R4833		NRSA6AJ-104W	MG RESISTOR	100kΩ,1/16W
R4836		NRSA6AJ-102W	MG RESISTOR	1kΩ,1/16W
R4837		NRSA6AJ-0R0W	MG RESISTOR	0Ω,1/16W
R4839		NRSA6AJ-0R0W	MG RESISTOR	0Ω,1/16W
R4840		NRSA6AJ-0R0W	MG RESISTOR	0Ω,1/16W
R4846		NRSA6AJ-0R0W	MG RESISTOR	0Ω,1/16W
R4849		NRSA6AJ-0R0W	MG RESISTOR	0Ω,1/16W
R4854		NRSA6AJ-0R0W	MG RESISTOR	0Ω,1/16W
R4856		NRSA63J-6R8X	MG RESISTOR	6.8Ω,1/16W
R4857		NRSA63J-6R8X	MG RESISTOR	6.8Ω,1/16W
R4858		NRSA6AJ-333W	MG RESISTOR	33kΩ,1/16W
R4859		NRSA6AJ-0R0W	MG RESISTOR	0Ω,1/16W
R4860		NRSA6AJ-0R0W	MG RESISTOR	0Ω,1/16W
R4862		NRSA63J-6R8X	MG RESISTOR	6.8Ω,1/16W
R4863		NRSA63J-6R8X	MG RESISTOR	6.8Ω,1/16W
R4864		NRSA6AJ-102W	MG RESISTOR	1kΩ,1/16W
R4865		NRSA6AJ-102W	MG RESISTOR	1kΩ,1/16W
R4866		NRSA6AJ-102W	MG RESISTOR	1kΩ,1/16W
R4867		NRSA6AJ-102W	MG RESISTOR	1kΩ,1/16W
R4868		NRSA6AJ-0R0W	MG RESISTOR	0Ω,1/16W
R4870		NRSA6AJ-271W	MG RESISTOR	270Ω,1/16W
R4871		NRSA6AJ-0R0W	MG RESISTOR	0Ω,1/16W
R4874		NRSA6AJ-0R0W	MG RESISTOR	0Ω,1/16W
C1601		NCBA1CK-103W	CAPACITOR	0.01μF,16V
C1602		NBE21AM-106X	T CAPACITOR	10μF,10V
C1603		NBE21AM-106X	T CAPACITOR	10μF,10V
C1605		NCBA1AK-104W	CAPACITOR	0.1μF,10V
C1606		NCBA1HK-152W	CAPACITOR	0.0015μF,50V
C1607		NCBA1AK-473W	CAPACITOR	0.047μF,10V
C1614		NBE21AM-106X	T CAPACITOR	10μF,10V
C1618		NCBA1HK-222W	CAPACITOR	0.0022μF,50V
C1619		NCBA1HK-222W	CAPACITOR	0.0022μF,50V
C1620		NCBA1HK-222W	CAPACITOR	0.0022μF,50V
C1621		NCB21AK-105X	CAPACITOR	1μF,10V
C1622		NCBA1CK-223W	CAPACITOR	0.022μF,16V
C1623		NCBA1AK-473W	CAPACITOR	0.047μF,10V
C1624		NCB31EK-103X	CAPACITOR	0.01μF,25V
C1625		NCBA1AK-473W	CAPACITOR	0.047μF,10V
C1626		NCBA1HK-331W	CAPACITOR	330pF,50V
C1627		NCBA1CK-822W	CAPACITOR	0.0082μF,16V
C1628		NCB21CK-224X	CAPACITOR	0.22μF,16V
C1632		NBE21AM-106X	T CAPACITOR	10μF,10V
C1633		NCF21CZ-684X	CAPACITOR	0.68μF,16V
C1635		NCBA1AK-104W	CAPACITOR	0.1μF,10V
C1641		NCB31AK-474X	CAPACITOR	0.47μF,10V
C1801		NBE21AM-106X	T CAPACITOR	10μF,10V
C4803		NBE90JM-106X	T CAPACITOR	10μF,6.3V
C4804		NCFA1AZ-104W	CAPACITOR	0.1μF,10V
C4805		NCFA1AZ-104W	CAPACITOR	0.1μF,10V
C4806		NCFA1AZ-104W	CAPACITOR	0.1μF,10V
C4808		NCB30JK-105X	CAPACITOR	1μF,6.3V
C4809		NCFA1AZ-104W	CAPACITOR	0.1μF,10V
C4810		NCFA1HZ-103W	CAPACITOR	0.01μF,50V
C4811		NCFA1HZ-103W	CAPACITOR	0.01μF,50V

#	△ REF No.	PART No.	PART NAME, DESCRIPTION	
C4812		NCFA1AZ-104W	CAPACITOR	0.1μF,10V
C4813		NCFA1AZ-104W	CAPACITOR	0.1μF,10V
C4814		NCFA1AZ-104W	CAPACITOR	0.1μF,10V
C4815		NCB31HK-152X	CAPACITOR	0.0015μF,50V
C4819		NCF31CZ-104X	CAPACITOR	0.1μF,16V
C4851		NBE90JM-106X	T CAPACITOR	10μF,6.3V
C4852		NCFA1AZ-104W	CAPACITOR	0.1μF,10V
C4853		NBE91AM-335X	T CAPACITOR	3.3μF,10V
C4854		NBE21AM-106X	T CAPACITOR	10μF,10V
C4855		NCB31CK-104X	CAPACITOR	0.1μF,16V
C4858		NDCA1HJ-680W	CAPACITOR	68pF,50V
C4859		NCBA1HK-102W	CAPACITOR	0.001μF,50V
C4860		NCBA1HK-102W	CAPACITOR	0.001μF,50V
C4861		NCBA1HK-102W	CAPACITOR	0.001μF,50V
C4862		NCBA1HK-102W	CAPACITOR	0.001μF,50V
C4864		NBE90JM-106X	T CAPACITOR	10μF,6.3V
C4865		NCBA1AK-104W	CAPACITOR	0.1μF,10V
L1601		NQL315M-1R0X	COIL	1μH
L4802		NQL302N-100X	COIL	10μH
L4851		NQR0129-002X	FERRITE BEAD	
L4852		NQL315K-100X	COIL	10μH
L4853		NQL315K-100X	COIL	10μH
CN201		QGF0505F2-06X	FPC CONNECTOR	
CN202		QGF0517F2-11X	FPC CONNECTOR	
CN203		QGF0505F2-18X	FPC CONNECTOR	
CN204		QGF0507F1-15X	FPC CONNECTOR	
CN205		QGF0507F1-24X	FPC CONNECTOR	
CN206		QGB0401L1-80X	CONNECTOR	
CN207		QGF0505F2-07X	FPC CONNECTOR	
CN208		QGF0507F1-14X	FPC CONNECTOR	
OT1		LY30016-0E6A	SPACER-A	

CCD BOARD ASSEMBLY <03>

PW	YB10286A-02	CCD BOARD ASSY	
Q5201	2SC3935/Q/-X	TRANSISTOR	
R5201	NRSA63J-122X	MG RESISTOR	1.2kΩ,1/16W
C5202	NCF31EZ-104X	CAPACITOR	0.1μF,25V
C5203	NBEE1AM-226X	T CAPACITOR	22μF,10V
C5204	NCB31CK-104X	CAPACITOR	0.1μF,16V
C5205	NCB31CK-104X	CAPACITOR	0.1μF,16V
C5206	NBZ0003-475X	T CAPACITOR	4.7μF
C5207	NCF31EZ-104X	CAPACITOR	0.1μF,25V
C5208	NCB31HK-222X	CAPACITOR	0.0022μF,50V
C5209	NCB21EK-104X	CAPACITOR	0.1μF,25V
WR1	WJR0017-001A	E-SH C WIRE C-F	

MONITOR BOARD ASSEMBLY <04>

PW1	YB10289B-01	MONITOR BOARD ASSY,A,C,D,E
	YB10289B-02	MONITOR BOARD ASSY,B,F
IC7501	TL1451CPW	IC
IC7502	TC7SH04FU	IC(DIGITAL)

#	△ REF No.	PART No.	PART NAME, DESCRIPTION	#	△ REF No.	PART No.	PART NAME, DESCRIPTION	
		or SN74AHC1G04K	IC	R7616		NRSA6AJ-101W	MG RESISTOR	100Ω,1/16W
IC7601		AN2533FH	IC	R7617		NRSA6AJ-102W	MG RESISTOR	1kΩ,1/16W
IC7603		AT25040N-10SC-X	IC	R7620		NRSA6AJ-102W	MG RESISTOR	1kΩ,1/16W
IC7604		BU4053BCFV	IC	R7627		NRSA6AJ-101W	MG RESISTOR	100Ω,1/16W
IC7607		TC7S04FU	IC	R7631		NRSA6AJ-103W	MG RESISTOR	10kΩ,1/16W
IC7608		TC7S08FU	IC(DIGITAL)	R7635		NRSA6AJ-220W	MG RESISTOR	22Ω,1/16W
Q7501		UMD3N	TRANSISTOR	R7636		NRSA6AJ-220W	MG RESISTOR	22Ω,1/16W
Q7502		SSM3K01F	MOS FET	R7637		NRVA6AD-123W	CMF RESISTOR	12kΩ,1/16W
Q7503		2SC4617/QRS/-X	TRANSISTOR	R7638		NRVA6AD-123W	CMF RESISTOR	12kΩ,1/16W
Q7504		XP6401	TRANSISTOR	R7639		NRVA6AD-123W	CMF RESISTOR	12kΩ,1/16W
Q7601		2SA1774/QR/-X	TRANSISTOR	R7640		NRVA6AD-123W	CMF RESISTOR	12kΩ,1/16W
Q7602		UMC4N	TRANSISTOR	R7641		NRVA6AD-123W	CMF RESISTOR	12kΩ,1/16W
Q7604		DTA114YE	TRANSISTOR	R7642		NRVA6AD-123W	CMF RESISTOR	12kΩ,1/16W
Q7605		DTA114YE	TRANSISTOR	R7643		NRSA6AJ-220W	MG RESISTOR	22Ω,1/16W
Q7606		DTA114YE	TRANSISTOR	R7645		NRSA6AJ-473W	MG RESISTOR	47kΩ,1/16W
Q7607		DTA114YE	TRANSISTOR	R7646		NRSA6AJ-472W	MG RESISTOR	4.7kΩ,1/16W
Q7608		UMZ1N	PAIR TRANSISTOR	R7649		NRVA6AD-222W	CMF RESISTOR	2.2kΩ,1/16W
Q7609		2SC4097/QR/-X	TRANSISTOR	R7650		NRVA6AD-222W	CMF RESISTOR	2.2kΩ,1/16W
Q7610		2SA1577/QR/-X	TRANSISTOR	R7651		NRVA6AD-222W	CMF RESISTOR	2.2kΩ,1/16W
Q7615		DTA144EE	TRANSISTOR	R7652		NRVA6AD-222W	CMF RESISTOR	2.2kΩ,1/16W
Q7616		UMC4N	TRANSISTOR	R7653		NRVA6AD-222W	CMF RESISTOR	2.2kΩ,1/16W
Q7618		DTC144EE	TRANSISTOR	R7654		NRVA6AD-222W	CMF RESISTOR	2.2kΩ,1/16W
D7501		MA142WK	DIODE	R7657		NRSA6AJ-273W	MG RESISTOR	27kΩ,1/16W
D7601		RB471E	SB DIODE	R7658		NRSA6AJ-222W	MG RESISTOR	2.2kΩ,1/16W
D7602		MA111	DIODE	R7659		NRSA6AJ-394W	MG RESISTOR	390kΩ,1/16W
D7603		MA111	DIODE	R7660		NRSA6AJ-681W	MG RESISTOR	680Ω,1/16W
R7501		NRVA6AD-103W	CMF RESISTOR	10kΩ,1/16W	R7661	NRSA6AJ-223W	MG RESISTOR	22kΩ,1/16W
R7502		NRVA6AD-123W	CMF RESISTOR	12kΩ,1/16W	R7662	NRSA6AJ-101W	MG RESISTOR	100Ω,1/16W
R7503		NRVA63D-334X	CMF RESISTOR	330kΩ,1/16W	R7663	NRSA6AJ-101W	MG RESISTOR	100Ω,1/16W
R7504		NRSA6AJ-394W	MG RESISTOR	390kΩ,1/16W	R7664	NRSA6AJ-683W	MG RESISTOR	68kΩ,1/16W
R7505		NRSA6AJ-562W	MG RESISTOR	5.6kΩ,1/16W	R7665	NRSA6AJ-683W	MG RESISTOR	68kΩ,1/16W
R7506		NRSA6AJ-183W	MG RESISTOR	18kΩ,1/16W	R7666	NRSA6AJ-683W	MG RESISTOR	68kΩ,1/16W
R7507		NRSA6AJ-472W	MG RESISTOR	4.7kΩ,1/16W	R7673	NRSA6AJ-223W	MG RESISTOR	22kΩ,1/16W
R7508		NRS181J-335X	MG RESISTOR	3.3MΩ,1/8W	R7675	NRSA6AJ-103W	MG RESISTOR	10kΩ,1/16W
R7509		NRS181J-335X	MG RESISTOR	3.3MΩ,1/8W	R7680	NRSA6AJ-681W	MG RESISTOR	680Ω,1/16W
R7510		NRSA6AJ-153W	MG RESISTOR	15kΩ,1/16W	R7681	NRSA6AJ-331W	MG RESISTOR	330Ω,1/16W
R7511		NRSA6AJ-102W	MG RESISTOR	1kΩ,1/16W	R7682	NRSA6AJ-223W	MG RESISTOR	22kΩ,1/16W
R7512		NRSA6AJ-822W	MG RESISTOR	8.2kΩ,1/16W	C7501	NCB31CK-104X	CAPACITOR	0.1μF,16V
R7513		NRSA6AJ-273W	MG RESISTOR	27kΩ,1/16W	C7502	NBE90JM-106X	T CAPACITOR	10μF,6.3V
R7514		NRSA6AJ-124W	MG RESISTOR	120kΩ,1/16W	C7503	NBE91AM-335X	T CAPACITOR	3.3μF,10V
R7515		NRSA6AJ-151W	MG RESISTOR	150Ω,1/16W	C7504	NBP41CM-226X	T CAPACITOR	22μF,16V
R7516		NRSA6AJ-151W	MG RESISTOR	150Ω,1/16W	C7505	NCBA1CK-103W	CAPACITOR	0.01μF,16V
R7517		NRSA6AJ-122W	MG RESISTOR	1.2kΩ,1/16W	C7506	NBE90JM-685X	T CAPACITOR	6.8μF,6.3V
R7518		NRSA6AJ-332W	MG RESISTOR	3.3kΩ,1/16W	C7507	NDC31HJ-331X	CAPACITOR	330pF,50V
R7519		NRSA6AJ-163W	MG RESISTOR	16kΩ,1/16W	C7508	NCB21EK-104X	CAPACITOR	0.1μF,25V
R7520		NRSA6AJ-393W	MG RESISTOR	39kΩ,1/16W	C7509	NBP41CM-226X	T CAPACITOR	22μF,16V
R7521		NRVA6AD-153W	CMF RESISTOR	15kΩ,1/16W	C7601	NCBA1AK-104W	CAPACITOR	0.1μF,10V
R7523		NRVA63D-184X	CMF RESISTOR	180kΩ,1/16W	C7602	NBEE0JM-476X	T CAPACITOR	47μF,6.3V
R7524		NRVA63D-114X	CMF RESISTOR	110kΩ,1/16W	C7603	NBE90JM-106X	T CAPACITOR	10μF,6.3V
R7525		NRSA6AJ-333W	MG RESISTOR	33kΩ,1/16W	C7604	NCBA1AK-104W	CAPACITOR	0.1μF,10V
R7526		NRSA6AJ-0R0W	MG RESISTOR	0Ω,1/16W	C7605	NCBA1AK-104W	CAPACITOR	0.1μF,10V
R7527		NRSA6AJ-221W	MG RESISTOR,B,F	220Ω,1/16W	C7606	NCZ1028-225X	CAPACITOR	2.2μF
R7602		NRSA6AJ-104W	MG RESISTOR	100kΩ,1/16W	C7607	NCF31CZ-104X	CAPACITOR	0.1μF,16V
R7603		NRSA6AJ-104W	MG RESISTOR	100kΩ,1/16W	C7608	NCZ1028-225X	CAPACITOR	2.2μF
R7604		NRSA6AJ-563W	MG RESISTOR	56kΩ,1/16W	C7609	NCZ1028-225X	CAPACITOR	2.2μF
R7610		NRSA6AJ-563W	MG RESISTOR	56kΩ,1/16W	C7610	NBP41CM-226X	T CAPACITOR	22μF,16V
R7611		NRSA6AJ-153W	MG RESISTOR	15kΩ,1/16W	C7614	NCBA1AK-104W	CAPACITOR	0.1μF,10V
R7612		NRSA6AJ-103W	MG RESISTOR	10kΩ,1/16W	C7615	NBE20JM-226X	T CAPACITOR	22μF,6.3V
R7613		NRSA6AJ-104W	MG RESISTOR	100kΩ,1/16W	C7618	NCBA1CK-822W	CAPACITOR	0.0082μF,16V
R7614		NRSA6AJ-104W	MG RESISTOR	100kΩ,1/16W	C7619	NBE90JM-225X	T CAPACITOR	2.2μF,6.3V
R7615		NRSA6AJ-104W	MG RESISTOR	100kΩ,1/16W	C7620	NBE90JM-106X	T CAPACITOR	10μF,6.3V

#	△ REF No.	PART No.	PART NAME, DESCRIPTION	
C7621		NDCA1HJ-151W	CAPACITOR	150pF,50V
C7623		NDC31HJ-471X	CAPACITOR	470pF,50V
C7625		NCB30JK-105X	CAPACITOR	1μF,6.3V
C7626		NDCA1HJ-270W	CAPACITOR	27pF,50V
C7627		NCBA1AK-104W	CAPACITOR	0.1μF,10V
C7628		NCB21AK-225X	CAPACITOR	2.2μF,10V
C7629		NBE90JM-106X	T CAPACITOR	10μF,6.3V
C7630		NCBA1AK-104W	CAPACITOR	0.1μF,10V
C7631		NCF31AZ-105X	CAPACITOR	1μF,10V
C7632		NCF31AZ-105X	CAPACITOR	1μF,10V
C7636		NCBA1HK-102W	CAPACITOR	0.001μF,50V
C7637		NCBA1HK-102W	CAPACITOR	0.001μF,50V
C7638		NCFA1AZ-104W	CAPACITOR	0.1μF,10V
C7639		NCF31CZ-104X	CAPACITOR	0.1μF,16V
C7640		NBE81AM-106X	T CAPACITOR	10μF,10V
C7641		NBE81AM-106X	T CAPACITOR	10μF,10V
C7642		NBE81AM-106X	T CAPACITOR	10μF,10V
C7646		NBP81DM-155X	T CAPACITOR	1.5μF,20V
C7647		NBP81DM-155X	T CAPACITOR	1.5μF,20V
C7648		NCF31CZ-104X	CAPACITOR	0.1μF,16V
C7650		NBP41EM-475X	T CAPACITOR	4.7μF,25V
C7652		NBE90JM-106X	T CAPACITOR	10μF,6.3V
C7654		NBP41EM-475X	T CAPACITOR	4.7μF,25V
C7656		NCF31AZ-105X	CAPACITOR	1μF,10V
L7501		NQLZ008-101X	COIL	100μH
L7502		NQL38DK-220X	COIL	22μH
L7503		NQL034K-100X	COIL	10μH
L7603		NQL38DK-220X	COIL	22μH
L7604		NQL38DK-220X	COIL	22μH
L7605		NQL38DK-220X	COIL	22μH
L7606		NQL013K-150X	COIL	15μH
L7607		NQL38DK-220X	COIL	22μH
L7610		NQL38DK-220X	COIL	22μH
L7611		NQL38DK-220X	COIL	22μH
T7501		NQS0040-001X	SW TRANSF	
T7502		NAX0334-001	PIEZOELE TRANSF	
CN7501		QGF0304F1-39X	FFC/FPC CONNECTOR	
CN7502		QGF0517F1-24X	FPC CONNECTOR	
△ F7501		NMFZ009-R50X-J1	FUSE	T0.5A
OT1		LY42526-001A	SHIELD SHEET	
OT2		LY30029-068B	SPACER(A)	
OT3		LY30029-092A	SPACER(A)	
OT4		LY30016-0F6A	SPACER-A,A,C,D,E	
OT5		LY30016-0P9A	SPACER-A,A,C,D,E	

-PULL DOWN BOARD ASSEMBLY, A,C,D,E -

PW2	YB20835C	PULL DOWN BOARD ASSY	
R7527	NRSA63J-221X	MG RESISTOR	220Ω,1/16W
WR1	YU40017-020-1	THIN WIRE	
WR2	YU40017-050-4	THIN WIRE	

MMC BOARD ASSEMBLY <06>

PW3	YB10288A3	MMC BOARD ASSY,C,D	
	YB10288A3-01	MMC BOARD ASSY,E,F	
	YB10288B3-01	MMC BOARD ASSY,A,B	
R8501	NRSA63J-103X	MG RESISTOR,C,D,E,F	10kΩ,1/16W

#	△ REF No.	PART No.	PART NAME, DESCRIPTION	
R8502		NRSA63J-473X	MG RESISTOR,C,D,E,F	47kΩ,1/16W
R8503		NRSA63J-103X	MG RESISTOR,C,D,E,F	10kΩ,1/16W
R8504		NRSA63J-104X	MG RESISTOR	100kΩ,1/16W
R8505		NRSA63J-0R0X	MG RESISTOR,A,B	0Ω,1/16W
		NRSA63J-153X	MG RESISTOR,C,D,E,F	15kΩ,1/16W
R8506		NRSA63J-333X	MG RESISTOR,A,B	33kΩ,1/16W
		NRSA63J-183X	MG RESISTOR,C,D,E,F	18kΩ,1/16W
R8507		NRSA63J-103X	MG RESISTOR,C,D,E,F	10kΩ,1/16W
R8508		NRSA63J-103X	MG RESISTOR,C,D,E,F	10kΩ,1/16W
R8511		NRSA63J-0R0X	MG RESISTOR,C,D,E,F	0Ω,1/16W
R8512		NRSA63J-0R0X	MG RESISTOR,C,D,E,F	0Ω,1/16W
R8513		NRSA63J-0R0X	MG RESISTOR,C,D,E,F	0Ω,1/16W
R8515		NRSA63J-0R0X	MG RESISTOR,C,D,E,F	0Ω,1/16W
R8516		NRSA63J-0R0X	MG RESISTOR,C,D,E,F	0Ω,1/16W
R8517		NRSA63J-0R0X	MG RESISTOR,C,D,E,F	0Ω,1/16W
C8501		NBE20JM-106X	T CAPACITOR,C,D,E,F	10μF,6.3V
L8501		NQR0129-002X	FERRITE BEAD,C,D,E,F	
△ BT8501		QAB0020-001	LI BATTERY	
CN601		QGF0505F1-14X	FPC CONNECTOR	
CN602		QGF0505F1-06X	FPC CONNECTOR	
CN604		NNZ0035-001X	MMC CONNECTOR,C,D,E,F	

STROBE BOARD ASSEMBLY <07>,C,D,E,F

PW	YB10249C	STROBE BOARD ASSY	
IC6502	TC7SET08FU	IC(DIGITAL)	
Q6501	2SB1462J/RS/-X	TRANSISTOR	
Q6502	UN9211J	TRANSISTOR	
	or DTC114EE	TRANSISTOR	
△ Q6503	2SB1124/ST/-X	TRANSISTOR	
Q6504	2SD1628/FG/-X	TRANSISTOR	
Q6506	CT25ASJ-8-X	POW TRANSISTOR	
D6501	F1F16	DIODE	
D6502	DA121	DIODE	
D6503	F1SN4	DIODE	
D6504	CRG02	DIODE	
R6501	NRSA63J-3R9X	MG RESISTOR	3.9Ω,1/16W
R6502	NRSA63J-4R7X	MG RESISTOR	4.7Ω,1/16W
R6504	NRSA6AJ-471W	MG RESISTOR	470Ω,1/16W
R6505	NRSA6AJ-222W	MG RESISTOR	2.2kΩ,1/16W
R6506	NRSA6AJ-152W	MG RESISTOR	1.5kΩ,1/16W
R6507	NRSA02J-106X	MG RESISTOR	10MΩ,1/10W
R6508	NRVA63D-184X	CMF RESISTOR	180kΩ,1/16W
R6511	NRSA6AJ-473W	MG RESISTOR	47kΩ,1/16W
R6514	NRSA02J-105X	MG RESISTOR	1MΩ,1/10W
R6515	NRS181J-220X	MG RESISTOR	22Ω,1/8W
R6516	NRSA02J-104X	MG RESISTOR	100kΩ,1/10W
R6519	NRSA02J-106X	MG RESISTOR	10MΩ,1/10W
R6520	NRSA6AJ-330W	MG RESISTOR	33Ω,1/16W
R6527	NRSA6AJ-391W	MG RESISTOR	390Ω,1/16W
C6501	NBE41AM-336X	T CAPACITOR	33μF,10V
C6502	NBE41AM-226X	T CAPACITOR	22μF,10V
C6503	NCBA1CK-103W	CAPACITOR	0.01μF,16V
C6506	NCZ1008-333X	CAPACITOR	0.033μF
C6507	NCZ1019-273X	CAPACITOR	0.027μF
C6508	NCBA1CK-103W	CAPACITOR	0.01μF,16V
C6509	NCZ1024-103X	CAPACITOR	0.01μF
C6512	QEZ0450-326	E CAPACITOR	32μF
L6501	NQS0042-001X	SW TRANSF	

#	REF No.	PART No.	PART NAME, DESCRIPTION	
L6502		NQL302N-100X	COIL	10μH
L6503		NQL044K-470X	COIL	47μH
HD1		LY31715-001A	HOLDER(STROBE)	
UN1		LY31121-001D	STROBE ASSY	
WR1		WJT0033-001A	E-CARD WIRE	
J6501		QUB490-02A2A2	WIRE	
J6502		QUB499-02A2A2	WIRE	
CN6501		QGF0513F1-12X	FPC CONNECTOR	
OT1		LY30016-0F6A	SPACER-A	
OT2		LY30018-037A	SPECIAL SCREW	
OT3		LY41409-002A	SPACER(STROBE)	

#	REF No.	PART No.	PART NAME, DESCRIPTION	
R2131		NRSA6AJ-100W	MG RESISTOR	10Ω,1/16W
R2132		NRSA6AJ-100W	MG RESISTOR	10Ω,1/16W
R2133		NRSA6AJ-100W	MG RESISTOR	10Ω,1/16W
R2134		NRSA6AJ-0R0W	MG RESISTOR	0Ω,1/16W
R2135		NRSA6AJ-0R0W	MG RESISTOR	0Ω,1/16W
R2136		NRSA6AJ-0R0W	MG RESISTOR	0Ω,1/16W
R2137		NRSA6AJ-0R0W	MG RESISTOR	0Ω,1/16W
R2138		NRSA6AJ-0R0W	MG RESISTOR	0Ω,1/16W
R2139		NRSA6AJ-0R0W	MG RESISTOR	0Ω,1/16W
R2141		NRSA6AJ-0R0W	MG RESISTOR	0Ω,1/16W
R2202		NRSA6AJ-472W	MG RESISTOR	4.7kΩ,1/16W
R2203		NRSA6AJ-2R7W	MG RESISTOR	2.7Ω,1/16W
R2204		NRSA6AJ-2R7W	MG RESISTOR	2.7Ω,1/16W
R2205		NRSA6AJ-823W	MG RESISTOR	82kΩ,1/16W
R2206		NRSA6AJ-472W	MG RESISTOR	4.7kΩ,1/16W
R2208		NRSA6AJ-392W	MG RESISTOR	3.9kΩ,1/16W
R2210		NRSA6AJ-332W	MG RESISTOR	3.3kΩ,1/16W
R2220		NRSA6AJ-102W	MG RESISTOR	1kΩ,1/16W
R2221		NRSA6AJ-102W	MG RESISTOR	1kΩ,1/16W
R2224		NRSA6AJ-222W	MG RESISTOR	2.2kΩ,1/16W
R2228		NRSA6AJ-103W	MG RESISTOR	10kΩ,1/16W
R2229		NRSA6AJ-0R0W	MG RESISTOR	0Ω,1/16W
R2234		NRSA6AJ-332W	MG RESISTOR	3.3kΩ,1/16W
R2301		NRSA6AJ-560W	MG RESISTOR,C,D,E,F	56Ω,1/16W
R2302		NRSA6AJ-560W	MG RESISTOR,C,D,E,F	56Ω,1/16W
R2303		NRSA6AJ-0R0W	MG RESISTOR,C,D,E,F	0Ω,1/16W
R2305		NRSA6AJ-183W	MG RESISTOR,C,D,E,F	18kΩ,1/16W
R2306		NRSA6AJ-473W	MG RESISTOR,C,D,E,F	47kΩ,1/16W
R2307		NRSA6AJ-183W	MG RESISTOR,C,D,E,F	18kΩ,1/16W
R2308		NRSA6AJ-473W	MG RESISTOR,E,F	47kΩ,1/16W
R2309		NRSA6AJ-184W	MG RESISTOR,C,D	180kΩ,1/16W
		NRSA6AJ-224W	MG RESISTOR,E,F	220kΩ,1/16W
R2310		NRSA6AJ-393W	MG RESISTOR,C,D	39kΩ,1/16W
R2311		NRSA6AJ-473W	MG RESISTOR,C,D,E,F	47kΩ,1/16W
R2312		NRSA6AJ-183W	MG RESISTOR,C,D,E,F	18kΩ,1/16W
R2313		NRSA6AJ-473W	MG RESISTOR,E,F	47kΩ,1/16W
R2314		NRSA6AJ-183W	MG RESISTOR,C,D,E,F	18kΩ,1/16W
R2315		NRSA6AJ-393W	MG RESISTOR,C,D	39kΩ,1/16W
R2316		NRSA6AJ-224W	MG RESISTOR,E,F	220kΩ,1/16W
		NRSA6AJ-184W	MG RESISTOR,C,D	180kΩ,1/16W
R2317		NRSA6AJ-104W	MG RESISTOR,C,D,E,F	100kΩ,1/16W
R2318		NRSA6AJ-104W	MG RESISTOR,C,D,E,F	100kΩ,1/16W
R2319		NRSA6AJ-104W	MG RESISTOR,C,D,E,F	100kΩ,1/16W
R2320		NRSA6AJ-104W	MG RESISTOR,C,D,E,F	100kΩ,1/16W
R2321		NRSA6AJ-104W	MG RESISTOR,C,D,E,F	100kΩ,1/16W
R2322		NRSA6AJ-104W	MG RESISTOR,C,D,E,F	100kΩ,1/16W
R2323		NRSA6AJ-104W	MG RESISTOR,C,D,E,F	100kΩ,1/16W
R2324		NRSA6AJ-104W	MG RESISTOR,C,D,E,F	100kΩ,1/16W
R2325		NRSA6AJ-104W	MG RESISTOR,C,D,E,F	100kΩ,1/16W
R2326		NRSA6AJ-104W	MG RESISTOR,C,D,E,F	100kΩ,1/16W
R2327		NRSA6AJ-102W	MG RESISTOR,C,D,E,F	1kΩ,1/16W
R2328		NRSA6AJ-103W	MG RESISTOR,C,D,E,F	10kΩ,1/16W
R2329		NRSA63J-0R0X	MG RESISTOR,C,D,E,F	0Ω,1/16W
R2330		NRSA63J-0R0X	MG RESISTOR,C,D,E,F	0Ω,1/16W
R2333		NRSA6AJ-0R0W	MG RESISTOR,C,D,E,F	0Ω,1/16W
R2334		NRSA6AJ-0R0W	MG RESISTOR,C,D,E,F	0Ω,1/16W
R2401		NRSA6AJ-103W	MG RESISTOR	10kΩ,1/16W
R2402		NRSA6AJ-473W	MG RESISTOR	47kΩ,1/16W
R2412		NRSA6AJ-153W	MG RESISTOR	15kΩ,1/16W
R2413		NRSA6AJ-103W	MG RESISTOR	10kΩ,1/16W
R2415		NRSA6AJ-560W	MG RESISTOR	56Ω,1/16W

AUDIO VF BOARD ASSEMBLY <08>

PW1	YB10285B2-02	AUDIO VF BOARD ASSY,C,D		
	YB10285C2-02	AUDIO VF BOARD ASSY,A,B		
	YB10285D2	AUDIO VF BOARD ASSY,E,F		
IC2101	AK4550VT	IC		
IC2102	AK4550VT	IC,C,D,E,F		
IC2103	JCY0137	IC		
IC2201	LA74202W	IC		
IC2301	NJM2100V	IC,C,D,E,F		
IC2302	NJM2100V	IC,C,D,E,F		
Q2101	2SC5585	TRANSISTOR		
Q2102	2SC5585	TRANSISTOR		
Q2201	2SC4617/QR/-X	TRANSISTOR		
Q2301	2SC4617/QR/-X	TRANSISTOR,C,D,E,F		
Q2401	2SC4617/QR/-X	TRANSISTOR		
Q2403	2SD1511/R/-X	TRANSISTOR		
Q2602	NRSA6AJ-563W	MG RESISTOR	56kΩ,1/16W	
	or NRVA6AD-563W	CMF RESISTOR	56kΩ,1/16W	
Q2603	2SC4617/QR/-X	TRANSISTOR		
Q2604	2SC4617/QR/-X	TRANSISTOR		
Q2755	UMX1N	PAIR TRANSISTOR		
Q7401	UMZ1N	PAIR TRANSISTOR		
D2001	TLSU1002/LM/-X	LE DIODE		
D2751	DAN222	DIODE		
R2001	NRSA6AJ-471W	MG RESISTOR	470Ω,1/16W	
R2002	NRVA6AD-103W	CMF RESISTOR	10kΩ,1/16W	
R2003	NRVA6AD-152W	CMF RESISTOR	1.5kΩ,1/16W	
R2004	NRVA6AD-182W	CMF RESISTOR	1.8kΩ,1/16W	
R2005	NRVA6AD-272W	CMF RESISTOR	2.7kΩ,1/16W	
R2101	NRSA6AJ-471W	MG RESISTOR	470Ω,1/16W	
R2102	NRSA6AJ-471W	MG RESISTOR	470Ω,1/16W	
R2103	NRSA6AJ-0R0W	MG RESISTOR	0Ω,1/16W	
R2104	NRSA6AJ-0R0W	MG RESISTOR	0Ω,1/16W	
R2105	NRSA6AJ-0R0W	MG RESISTOR	0Ω,1/16W	
R2111	NRSA6AJ-471W	MG RESISTOR,C,D,E,F	470Ω,1/16W	
R2112	NRSA6AJ-471W	MG RESISTOR,C,D,E,F	470Ω,1/16W	
R2113	NRSA6AJ-0R0W	MG RESISTOR,C,D,E,F	0Ω,1/16W	
R2114	NRSA6AJ-0R0W	MG RESISTOR,C,D,E,F	0Ω,1/16W	
R2117	NRSA6AJ-0R0W	MG RESISTOR	0Ω,1/16W	
R2118	NRSA6AJ-103W	MG RESISTOR	10kΩ,1/16W	
R2119	NRSA6AJ-103W	MG RESISTOR	10kΩ,1/16W	
R2120	NRSA6AJ-332W	MG RESISTOR	3.3kΩ,1/16W	
R2121	NRSA6AJ-564W	MG RESISTOR,C,D,E,F	560kΩ,1/16W	
R2122	NRSA6AJ-564W	MG RESISTOR,C,D,E,F	560kΩ,1/16W	

#	△ REF No.	PART No.	PART NAME, DESCRIPTION		#	△ REF No.	PART No.	PART NAME, DESCRIPTION	
R2429		NRSA6AJ-0R0W	MG RESISTOR	0Ω,1/16W	C2113		NCBA1HK-222W	CAPACITOR,C,D,E,F	0.0022μF,50V
R2601		NRSA6AJ-182W	MG RESISTOR	1.8kΩ,1/16W	C2114		NCBA1HK-222W	CAPACITOR,C,D,E,F	0.0022μF,50V
R2602		NRSA6AJ-182W	MG RESISTOR	1.8kΩ,1/16W	C2115		NBE90JM-475X	T CAPACITOR,C,D,E,F	4.7μF,6.3V
R2603		NRSA6AJ-123W	MG RESISTOR	12kΩ,1/16W	C2116		NCB31CK-104X	CAPACITOR,C,D,E,F	0.1μF,16V
R2604		NRSA6AJ-123W	MG RESISTOR	12kΩ,1/16W	C2117		NCB31CK-104X	CAPACITOR,C,D,E,F	0.1μF,16V
R2609		NRSA6AJ-332W	MG RESISTOR	3.3kΩ,1/16W	C2118		NBE90JM-106X	T CAPACITOR,C,D,E,F	10μF,6.3V
R2610		NRSA6AJ-332W	MG RESISTOR	3.3kΩ,1/16W	C2119		NCB31CK-104X	CAPACITOR,C,D,E,F	0.1μF,16V
R2613		NRSA6AJ-472W	MG RESISTOR	4.7kΩ,1/16W	C2120		NCB31CK-104X	CAPACITOR,C,D,E,F	0.1μF,16V
R2614		NRSA6AJ-472W	MG RESISTOR	4.7kΩ,1/16W	C2131		NBE90JM-106X	T CAPACITOR	10μF,6.3V
R2615		NRSA6AJ-682W	MG RESISTOR	6.8kΩ,1/16W	C2132		NCB31CK-104X	CAPACITOR	0.1μF,16V
R2616		NRSA6AJ-682W	MG RESISTOR	6.8kΩ,1/16W	C2134		NDCA1HJ-101W	CAPACITOR	100pF,50V
R2619		NRSA6AJ-472W	MG RESISTOR	4.7kΩ,1/16W	C2136		NDCA1HJ-101W	CAPACITOR	100pF,50V
R2620		NRSA6AJ-472W	MG RESISTOR	4.7kΩ,1/16W	C2137		NDCA1HJ-101W	CAPACITOR	100pF,50V
R2621		NRSA6AJ-472W	MG RESISTOR	4.7kΩ,1/16W	C2203		NBE90JM-475X	T CAPACITOR	4.7μF,6.3V
R2622		NRSA6AJ-472W	MG RESISTOR	4.7kΩ,1/16W	C2204		NBE90JM-106X	T CAPACITOR	10μF,6.3V
R2623		NRSA6AJ-5R6W	MG RESISTOR	5.6Ω,1/16W	C2207		NCBA1AK-104W	CAPACITOR	0.1μF,10V
R2624		NRSA6AJ-5R6W	MG RESISTOR	5.6Ω,1/16W	C2208		NCBA1AK-104W	CAPACITOR	0.1μF,10V
R2627		NRSA6AJ-0R0W	MG RESISTOR	0Ω,1/16W	C2210		NBE40JM-476X	T CAPACITOR	47μF,6.3V
R2628		NRSA6AJ-0R0W	MG RESISTOR	0Ω,1/16W	C2211		NBE40JM-476X	T CAPACITOR	47μF,6.3V
R2629		NRSA6AJ-333W	MG RESISTOR	33kΩ,1/16W	C2212		NBE90JM-106X	T CAPACITOR	10μF,6.3V
R2630		NRSA6AJ-333W	MG RESISTOR	33kΩ,1/16W	C2214		NCB31CK-104X	CAPACITOR	0.1μF,16V
R2631		NRSA6AJ-153W	MG RESISTOR	15kΩ,1/16W	C2215		NCB31CK-104X	CAPACITOR	0.1μF,16V
R2632		NRSA6AJ-153W	MG RESISTOR	15kΩ,1/16W	C2216		NCBA1CK-103W	CAPACITOR	0.01μF,16V
R2633		NRSA6AJ-153W	MG RESISTOR	15kΩ,1/16W	C2217		NCBA1AK-104W	CAPACITOR	0.1μF,10V
R2634		NRSA6AJ-153W	MG RESISTOR	15kΩ,1/16W	C2220		NCB30JK-105X	CAPACITOR	1μF,6.3V
R2635		NRSA6AJ-0R0W	MG RESISTOR,A,B	0Ω,1/16W	C2221		NCB30JK-105X	CAPACITOR	1μF,6.3V
R2636		NRSA6AJ-0R0W	MG RESISTOR,A,B	0Ω,1/16W	C2224		NCBA1AK-104W	CAPACITOR	0.1μF,10V
R2640		NRSA6AJ-182W	MG RESISTOR	1.8kΩ,1/16W	C2227		NCB21CK-105X	CAPACITOR	1μF,16V
R2641		NRSA6AJ-182W	MG RESISTOR	1.8kΩ,1/16W	C2230		NCB31CK-104X	CAPACITOR	0.1μF,16V
R2642		NRSA6AJ-102W	MG RESISTOR	1kΩ,1/16W	C2301		NBE90JM-106X	T CAPACITOR,C,D,E,F	10μF,6.3V
R2643		NRSA6AJ-473W	MG RESISTOR	47kΩ,1/16W	C2303		NCB30JK-105X	CAPACITOR,C,D,E,F	1μF,6.3V
R2715		NRSA6AJ-0R0W	MG RESISTOR	0Ω,1/16W	C2304		NCB30JK-105X	CAPACITOR,C,D	1μF,6.3V
R2756		NRSA6AJ-332W	MG RESISTOR	3.3kΩ,1/16W	C2305		NCB30JK-105X	CAPACITOR,C,D	1μF,6.3V
R2757		NRSA6AJ-564W	MG RESISTOR	560kΩ,1/16W	C2306		NCB30JK-105X	CAPACITOR,C,D,E,F	1μF,6.3V
R2758		NRSA6AJ-564W	MG RESISTOR	560kΩ,1/16W	C2307		NCB30JK-105X	CAPACITOR,C,D,E,F	1μF,6.3V
R2759		NRSA6AJ-821W	MG RESISTOR	820Ω,1/16W	C2308		NCB30JK-105X	CAPACITOR,C,D,E,F	1μF,6.3V
R2760		NRSA6AJ-821W	MG RESISTOR	820Ω,1/16W	C2309		NCB30JK-105X	CAPACITOR,C,D,E,F	1μF,6.3V
R2775		NRSA6AJ-473W	MG RESISTOR,E,F	47kΩ,1/16W	C2310		NCB30JK-105X	CAPACITOR,C,D,E,F	1μF,6.3V
		NRSA6AJ-223W	MG RESISTOR,C,D	22kΩ,1/16W	C2311		NCB31CK-104X	CAPACITOR,C,D,E,F	0.1μF,16V
R2776		NRSA6AJ-473W	MG RESISTOR,E,F	47kΩ,1/16W	C2312		NCB30JK-105X	CAPACITOR,C,D,E,F	1μF,6.3V
		NRSA6AJ-223W	MG RESISTOR,C,D	22kΩ,1/16W	C2313		NCB30JK-105X	CAPACITOR,C,D,E,F	1μF,6.3V
R2777		NRSA6AJ-103W	MG RESISTOR,C,D,E,F	10kΩ,1/16W	C2314		NCB30JK-105X	CAPACITOR,C,D,E,F	1μF,6.3V
R2778		NRSA6AJ-103W	MG RESISTOR,C,D,E,F	10kΩ,1/16W	C2315		NCB31CK-104X	CAPACITOR,C,D,E,F	0.1μF,16V
R7427		NRSA6AJ-0R0W	MG RESISTOR	0Ω,1/16W	C2316		NCB31CK-104X	CAPACITOR,C,D,E,F	0.1μF,16V
R7428		NRSA6AJ-0R0W	MG RESISTOR	0Ω,1/16W	C2402		NBE90JM-106X	T CAPACITOR	10μF,6.3V
R7429		NRSA6AJ-0R0W	MG RESISTOR	0Ω,1/16W	C2412		NBE40JM-476X	T CAPACITOR	47μF,6.3V
R7430		NRSA6AJ-0R0W	MG RESISTOR	0Ω,1/16W	C2413		NBE40JM-476X	T CAPACITOR	47μF,6.3V
R7442		NRVA6AD-183W	CMF RESISTOR	18kΩ,1/16W	C2603		NCB31EK-472X	CAPACITOR	0.0047μF,25V
R7443		NRSA6AJ-334W	MG RESISTOR	330kΩ,1/16W	C2604		NCB31EK-472X	CAPACITOR	0.0047μF,25V
R7444		NRSA6AJ-224W	MG RESISTOR	220kΩ,1/16W	C2605		NCBA1HK-152W	CAPACITOR	0.0015μF,50V
R7445		NRSA6AJ-393W	MG RESISTOR	39kΩ,1/16W	C2606		NCBA1HK-152W	CAPACITOR	0.0015μF,50V
C2101		NCB30JK-105X	CAPACITOR	1μF,6.3V	C2611		NCB31CK-333X	CAPACITOR	0.033μF,16V
C2102		NCB30JK-105X	CAPACITOR	1μF,6.3V	C2612		NCB31CK-333X	CAPACITOR	0.033μF,16V
C2103		NCBA1HK-222W	CAPACITOR	0.0022μF,50V	C2613		NCBA1HK-332W	CAPACITOR	0.0033μF,50V
C2104		NCBA1HK-222W	CAPACITOR	0.0022μF,50V	C2614		NCBA1HK-332W	CAPACITOR	0.0033μF,50V
C2105		NBE90JM-475X	T CAPACITOR	4.7μF,6.3V	C2617		NCB31CK-273X	CAPACITOR	0.027μF,16V
C2106		NCB31CK-104X	CAPACITOR	0.1μF,16V	C2618		NCB31CK-273X	CAPACITOR	0.027μF,16V
C2107		NCB31CK-104X	CAPACITOR	0.1μF,16V	C2621		NBE90JM-475X	T CAPACITOR	4.7μF,6.3V
C2108		NBE90JM-106X	T CAPACITOR	10μF,6.3V	C2622		NBE90JM-475X	T CAPACITOR	4.7μF,6.3V
C2111		NCB30JK-105X	CAPACITOR,C,D,E,F	1μF,6.3V	C2625		NCB31CK-104X	CAPACITOR	0.1μF,16V
C2112		NCB30JK-105X	CAPACITOR,C,D,E,F	1μF,6.3V	C2626		NCB31CK-104X	CAPACITOR	0.1μF,16V

# ▲ REF No.	PART No.	PART NAME, DESCRIPTION	
C2627	NCBA1HK-102W	CAPACITOR	0.001μF,50V
C2628	NCBA1HK-102W	CAPACITOR	0.001μF,50V
C2629	NBE20GM-336X	T CAPACITOR	33μF,4.0V
C2631	NCB31EK-103X	CAPACITOR	0.01μF,25V
C2632	NCB31EK-103X	CAPACITOR	0.01μF,25V
C2635	NCB30JK-105X	CAPACITOR	1μF,6.3V
C2636	NCB30JK-105X	CAPACITOR	1μF,6.3V
C2639	NCB31CK-104X	CAPACITOR	0.1μF,16V
C2640	NCB31CK-104X	CAPACITOR	0.1μF,16V
C2702	NBE90GM-226X	T CAPACITOR	22μF,4.0V
C2703	NBE90GM-226X	T CAPACITOR	22μF,4.0V
C2753	NCB20JK-225X	CAPACITOR	2.2μF,6.3V
C2754	NCB20JK-225X	CAPACITOR	2.2μF,6.3V
C2764	NCB20JK-225X	CAPACITOR	2.2μF,6.3V
C2765	NCB20JK-225X	CAPACITOR	2.2μF,6.3V
C2766	NCB21CK-474X	CAPACITOR,E,F	0.47μF,16V
C2767	NCB21CK-474X	CAPACITOR,E,F	0.47μF,16V
C2768	NRSA63J-0R0X	MG RESISTOR	0Ω,1/16W
C2769	NRSA63J-0R0X	MG RESISTOR	0Ω,1/16W
C7427	NBP41DM-106X	T CAPACITOR	10μF,20V
C7428	NCB21CK-105X	CAPACITOR	1μF,16V
C7429	NBE21AM-106X	T CAPACITOR	10μF,10V
C7431	NBE20JM-106X	T CAPACITOR	10μF,6.3V
L2101	NQL402M-100X	COIL	10μH
L2102	NQL402M-100X	COIL,C,D,E,F	10μH
L2131	NQL402M-100X	COIL	10μH
L2601	NRSA63J-0R0X	MG RESISTOR	0Ω,1/16W
L2602	NRSA63J-0R0X	MG RESISTOR	0Ω,1/16W
L2603	NRSA63J-0R0X	MG RESISTOR	0Ω,1/16W
L2604	NRSA63J-0R0X	MG RESISTOR	0Ω,1/16W
L7403	NQL045K-100X	COIL	10μH
L7404	NQL045K-100X	COIL	10μH
S7001	NSW0129-001X	PUSH SWITCH	
CN801	QGB0401L1-A0X	CONNECTOR	
CN802	QGF0517F2-12X	FPC CONNECTOR	
CN803	QGF0517F1-06X	FPC CONNECTOR	
CN804	QGA1001F1-05X	CONNECTOR	
CN805	QGF0507F1-20X	FPC CONNECTOR	
OT1	LY42535-001A	SHEET(AUD.PWB)	
OT2	LY42775-001A	S.SHEET(AU/VF)	

JACK BOARD ASSEMBLY <09>

PW1	YB10288C1	JACK BOARD ASSY	
Q2851	2SD1979/S/-X	TRANSISTOR	
D2852	MA8068	ZENER DIODE	
R2851	NRSA63J-183X	MG RESISTOR	18kΩ,1/16W
R2852	NRSA63J-0R0X	MG RESISTOR	0Ω,1/16W
R2853	NRSA63J-0R0X	MG RESISTOR	0Ω,1/16W
R2854	NRSA63J-0R0X	MG RESISTOR	0Ω,1/16W
R2855	NRSA63J-0R0X	MG RESISTOR	0Ω,1/16W
C2854	NCB31EK-223X	CAPACITOR	0.022μF,25V
C2856	NCB31EK-153X	CAPACITOR	0.015μF,25V
C2859	NCB31HK-332X	CAPACITOR	0.0033μF,50V
C2860	NCB31HK-102X	CAPACITOR	0.001μF,50V
L2851	NQR0251-004X	FERRITE BEAD	

# ▲ REF No.	PART No.	PART NAME, DESCRIPTION
L2852	NQR0251-004X	FERRITE BEAD
L2853	NQR0251-004X	FERRITE BEAD
J2851	QNS0078-001	3.5 JACK
CN901	QGF0507F1-16X	FPC CONNECTOR
CN902	QGF0517F2-08X	FPC CONNECTOR

W/B BOARD ASSEMBLY <11>

PW3	YB10285A3	W/B BOARD ASSY	
Q1151	RPM-22PB	PHOTO TRANSISTOR	
R1151	NRSA63J-302X	MG RESISTOR	3kΩ,1/16W
C1151	NBE90JM-106X	T CAPACITOR	10μF,6.3V
C1152	NCB21EK-683X-R	CAPACITOR	0.068μF,25V
L1151	NQR0265-001X	FERRITE BEAD	
WR1	WJM0144-001A	E-SI C WIRE C-F	

EJECT BOARD ASSEMBLY <12>

PW2	YB10288A2-01	EJECT BOARD ASSY	
S1	NSW0120-002X	PUSH SWITCH	
WR1	WJM0145-001A	E-SI C WIRE C-F	